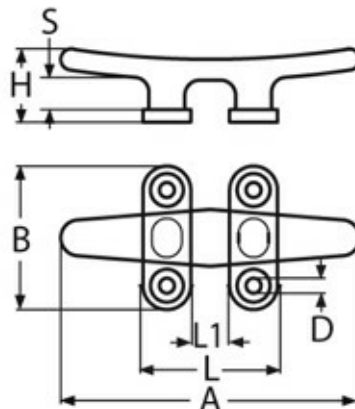


4 Hole Flat Top Rope Cleat



| Code | H (mm) | S (mm) | B (mm) | A (mm) | L (mm) | L1 (mm) | D (mm) |
|----------|--------|--------|--------|--------|--------|---------|--------|
| SKU93490 | 22 | 15 | 36 | 98 | 42 | 17 | 4.6 |
| SKU93492 | 25 | 19 | 46 | 124 | 56 | 26 | 5.5 |
| SKU93494 | 29 | 20 | 60 | 150 | 70 | 33 | 6.1 |
| SKU93496 | 40 | 29 | 60 | 200 | 80 | 34 | 6.5 |
| SKU93498 | 41 | 28 | 65 | 250 | 78 | 29 | 7.6 |

Notes : Dimensions are a guide and may vary slightly. Pls check with us for dimension critical applications.
 If Break (BL), Safe working load (SWL) or Working load limit (WLL) are shown:
 This is a guide only. (Do not use for lifting unless it is a certified lifting product)

4 Hole Flat Top Rope Cleat

This rope cleat specialises in allowing to tie ropes, which can be used for nautical applications.

This 316 stainless material has good Chloride resistance hence can be used for marine applications or Applications where the inert nature of stainless is required.

| | |
|---------------|-------------------|
| MATERIAL TYPE | A4- 316 STAINLESS |
| FINISH | POLISHED |