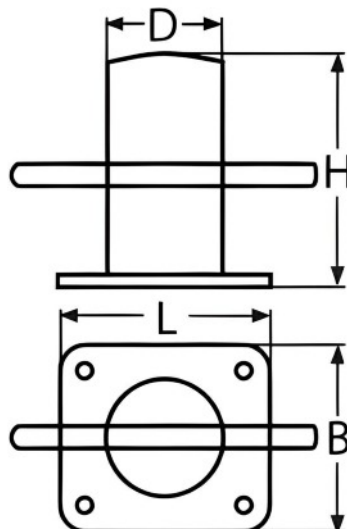


BOLLARD



CODE	B	L	H	D
5130-A-A2	80	90	100	50
5130-B-A2	95	120	120	60

Notes : Dimensions are a guide and may vary slightly. Pls check with us for dimension critical applications.
 If Break (BL), Safe working load (SWL) or Working load limit (WLL) are shown:
 This is a guide only. (Do not use for lifting unless it is a certified lifting product)

BOLLARD

A2 stainless steel bollards are essential maritime fixtures designed to withstand the harsh conditions of marine environments while providing reliable mooring and anchoring solutions. Constructed from high-quality A2 stainless steel, also known as 304 stainless steel, these bollards offer exceptional corrosion resistance, making them ideal for coastal and offshore applications where exposure to saltwater and weather elements is constant.

MATERIAL TYPE	A2 STAINLESS
FINISH	POLISHED

ADVANTAGES

- Good for various applications
- Highly durable
- Minimal maintenance