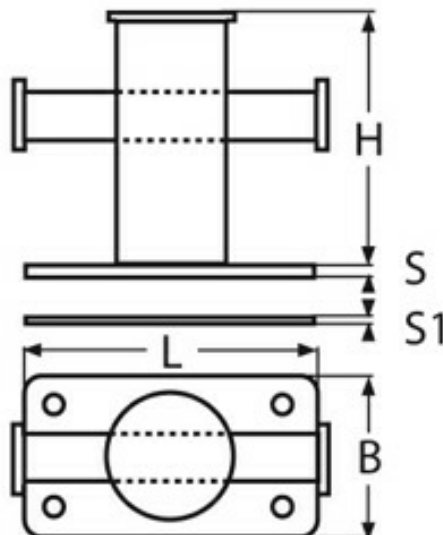


BOLLARD WITH BALANCE PLATE



Code	L	B	H	S	S1
5135-A2	200	110	180	6	3

Notes : Dimensions are a guide and may vary slightly. Pls check with us for dimension critical applications.
 If Break (BL), Safe working load (SWL) or Working load limit (WLL) are shown:
 This is a guide only. (Do not use for lifting unless it is a certified lifting product)

BOLLARD WITH BALANCE PLATE

These bollards feature an integrated balance plate that enhances stability and load distribution, making them ideal for ensuring safe and reliable mooring of boats and ships. The balance plate design helps to evenly distribute forces and reduce stress on the bollard and the mooring structure, ensuring longevity and minimizing maintenance needs.

MATERIAL TYPE	A2 STAINLESS
FINISH	POLISHED

ADVANTAGES

- Good for various applications
- Highly durable
- Low maintenance