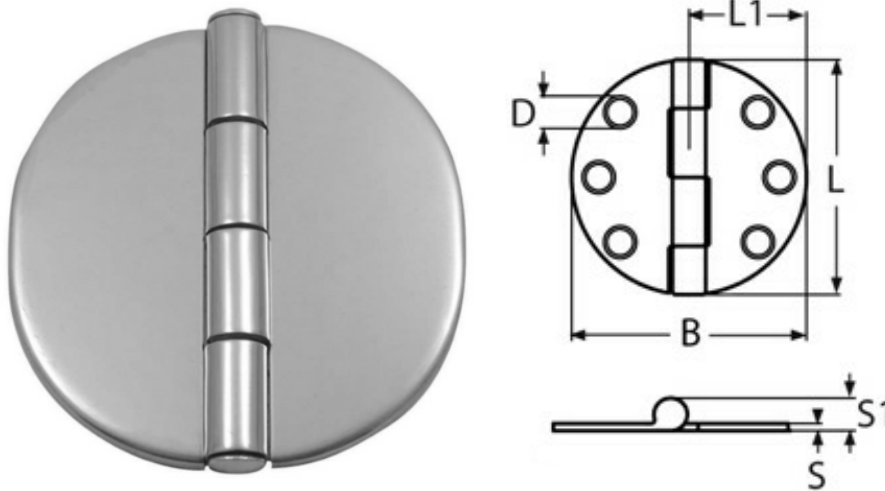


Covered Hinge Rounded



Code	L	L1	B	D	S	S1
5175-A4	65	32.5	65	7.5	2	9

Notes : Dimensions are a guide and may vary slightly. Pls check with us for dimension critical applications.

If Break (BL), Safe working load (SWL) or Working load limit (WLL) are shown:
This is a guide only. (Do not use for lifting unless it is a certified lifting product)

COVERED HINGE ROUNDED

Easy installation and sleek finish. Made from high quality stainless steel ensuring fantastic corrosion resistance.

MATERIAL	A4 STAINLESS
MATERIAL TYPE	316 STAINLESS STEEL
FINISH	POLISHED