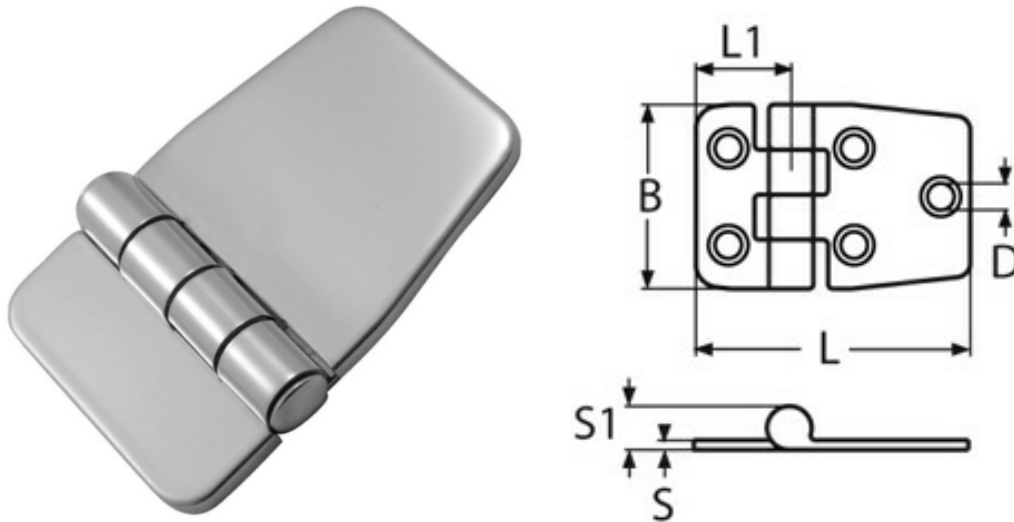


Covered Hinge Short Side



| Code | L | L1 | B | D | S | S1 |
|---------|----|----|----|---|---|----|
| 5180-A4 | 57 | 18 | 37 | 6 | 2 | 9 |

Notes : Dimensions are a guide and may vary slightly. Pls check with us for dimension critical applications.

If Break (BL), Safe working load (SWL) or Working load limit (WLL) are shown:
This is a guide only. (Do not use for lifting unless it is a certified lifting product)

COVERED HINGE SHORT SIDE

Easy installation and sleek finish. Made from high quality stainless steel ensuring fantastic corrosion resistance.

| | |
|-----------------|---------------------|
| MATERIAL | A4 STAINLESS |
| MATERIAL TYPE | 316 STAINLESS STEEL |
| FINISH | POLISHED |