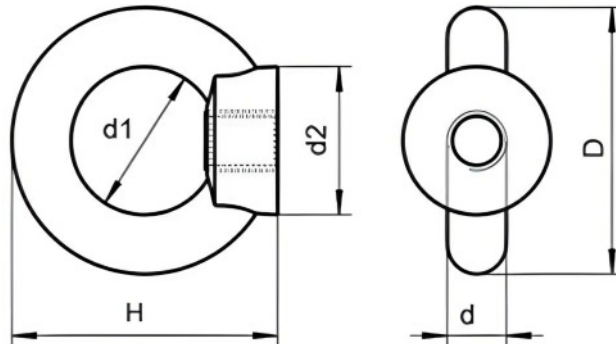


DIN582-BZP



CERTIFIED LIFTING PRODUCT

Size <i>d</i>	Code A2 - A4 (A4 Shown)	Code (BZP)	Weight (g) (App rox.)	<i>D</i>	<i>d1</i>	<i>H</i>	<i>L</i>	SWL
M6	902-6-CE-A4	902-6-CE-BZP	50	27	16	31	11	70
M8	902-8-CE-A4	902-8-CE-BZP	60	36	20	36	13	140
M10	902-10-CE-A4	902-10-CE-BZP	105	45	25	45	17	230
M12	902-12-CE-A4	902-12-CE-BZP	180	54	30	53	20.5	340
M16	902-16-CE-A4	902-16-CE-BZP	300	63	35	62	27	700
M20	902-20-CE-A4	902-20-CE-BZP	440	72	40	71	30	1200
M24	902-24-CE-A4	902-24-CE-BZP	870	90	50	90	36	1800
M30	N/A	902-30-CE-BZP	1650	108	60	110	45	3600
M36	N/A	902-36-CE-BZP	2650	126	70	127	54	5100
M42	N/A	902-42-CE-BZP	4000	144	80	144	63	7000
M48	N/A	902-48-CE-BZP	6400	166	90	176	68	8600

Notes : Dimensions are a guide and may vary slightly. Pls check with us for dimension critical applications.
 If Break (BL), Safe working load (SWL) or Working load limit (WLL) are shown:
 This is a guide only. (Do not use for lifting unless it is a certified lifting product)

DIN582-BZP

Our BZP (Bright Zinc Plated) eye nut, designed for reliable load-bearing applications, offers robust performance and durability with a protective zinc coating for corrosion resistance. Typically used in industrial, construction, and outdoor settings, BZP eye nuts are load rated to ensure safe working loads (SWL) are met and are suitable for a variety of fastening and rigging applications. They feature threaded apertures that securely attach to bolts or rods, providing a stable connection for lifting and suspension tasks. BZP eye nuts are recognized for their strength and adherence to safety standards, making them essential components in environments where robust and dependable fastening solutions are required. Load rated, so are perfect for lifting.

MATERIAL TYPE	FORGED STEEL
FINISH	BZP

ADVANTAGES

- Good for various applications
- Highly durable