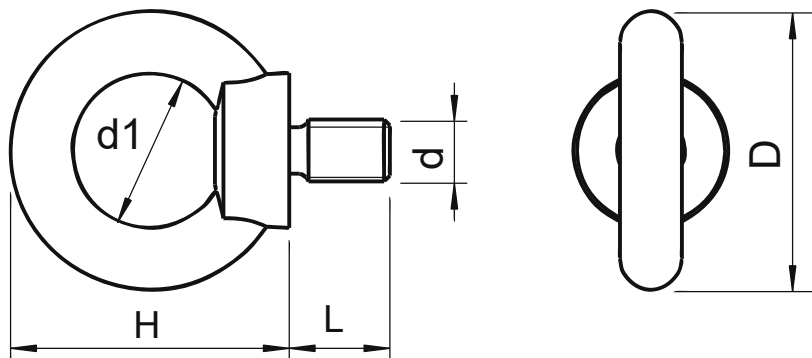


# Load Rated Lifting Eyebolts



**LOAD RATED  
STAMPED WITH  
WORKING LOAD**



Size d	Code	Weight (g)	D	d1	H	L	SWL
M8	914-8-L-A4	45	36	20	36	13	140
M10	914-10-L-A4	103	45	25	45	17	230
M12	914-12-L-A4	172	54	30	53	20.5	340
M16	914-16-L-A4	276	63	35	62	27	700
M20	914-20-L-A4	430	72	40	71	30	1200
M24	914-24-L-A4	520	90	50	90	36	1800
M30	914-30-L-A4	820	108	60	109	45	3600

Notes : Dimensions are a guide and may vary slightly. Pls check with us for dimension critical applications.

If Break (BL), Safe working load (SWL) or Working load limit (WLL) are shown:  
This is a guide only. (Do not use for lifting unless it is a certified lifting product)

## LOAD RATED LIFTING EYEBOLTS

Made from 316 stainless steel for excellent corrosion resistance. Arrives stamped with a load limit and has a CE marked certificate of conformity.

<b>MATERIAL</b>	<b>STAINLESS STEEL</b>
MATERIAL TYPE	316 STAINLESS STEEL
FINISH	POLISHED