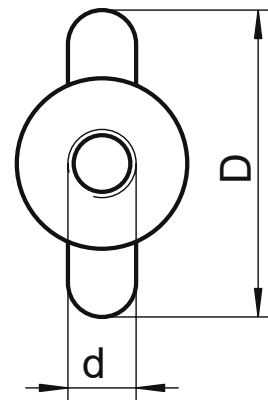
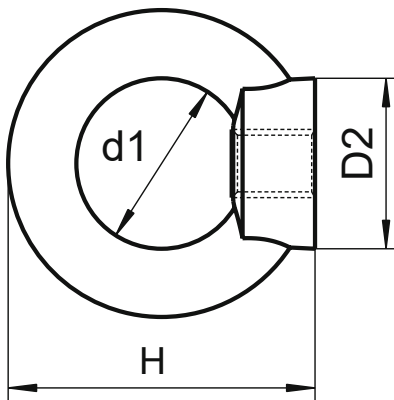


Lifting Eyenuts

**LOAD RATED
STAMPED WITH
WORKING LOAD**



Size	Code	Weight (g)	H	D	Dia d1	SWL kg
M6	912-6-L-A4	21	28	28	16	70
M8	912-8-L-A4	39	36	36	20	140
M10	912-10-L-A4	91	45	45	25	230
M12	912-12-L-A4	141	53	54	30	340
M16	912-16-L-A4	224	62	63	35	700
M20	912-20-L-A4	351	71	72	40	1200
M24	912-24-L-A4	500	90	90	50	1800
M30	912-30-L-A4	760	108	108	60	3600

Notes : Dimensions are a guide and may vary slightly. Pls check with us for dimension critical applications.
If Break (BL), Safe working load (SWL) or Working load limit (WLL) are shown:
This is a guide only. (Do not use for lifting unless it is a certified lifting product)

LIFTING EYENUTS

Made from 316 stainless steel for excellent corrosion resistance. Can be used in various applications for secure fixing points. These are stamped with a load rating

MATERIAL TYPE	A4 STAINLESS
FINISH	POLISHED