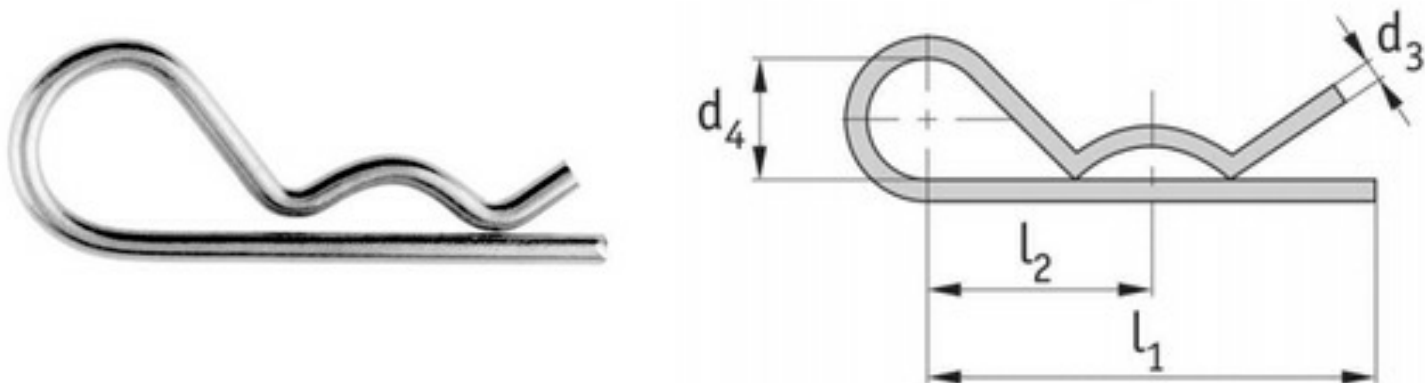


R clip / Beta pin



Code-A4	Code-A2	D3	d4	L1	L2	To suit Pin	Weight (g)
SKU9342	5342-2	2	10	10	24	8 to 12	1
SKU9343	5342-2.5	2.5	11	11	25	10 to 16	4
SKU9344	5342-3	3	16	16	34	16 to 18	9
SKU9345	5342-4	4	19	19	36	18 to 20	17
SKU9346	5342-5	5	26	26	45	20 to 28	35
SKU9347	5342-6	6	30	30	60	28 to 40	62

Notes : Dimensions are a guide and may vary slightly. Pls check with us for dimension critical applications.

If Break (BL), Safe working load (SWL) or Working load limit (WLL) are shown:

This is a guide only. (Do not use for lifting unless it is a certified lifting product)

R clips - also known as Beta pins

These are used for retaining pins or cotter pins. Check size to chart to find suitability for size of pin.

MATERIAL TYPE	A2 - A4 STAINLESS
FINISH	POLISHED

ADVANTAGES

- Large number of sizes available
- Quick and easy fit