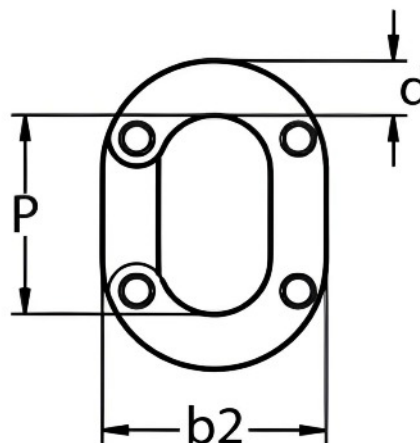


SECURITY CHAIN LINK



SIZE	CODE	b2	P	d	BL/Kg
5	SKU73916	19	17.5	5	1200
6	SKU73918	24	21	6	2100
8	SKU73920	28	24	8	3000
10	SKU73922	34	29	10	4600

Notes : Dimensions are a guide and may vary slightly. Pls check with us for dimension critical applications.
 If Break (BL), Safe working load (SWL) or Working load limit (WLL) are shown:
 This is a guide only. (Do not use for lifting unless it is a certified lifting product)

SECURITY CHAIN LINK

These chain connecting links are split, enabling you to connect two pieces of chain together, they have the appearance of a piece of chain and thus look good in use.

MATERIAL TYPE	316 STAINLESS
FINISH	POLISHED

ADVANTAGES

- Strong & durable
- Quick and easy connection
- A4 Stainless steel