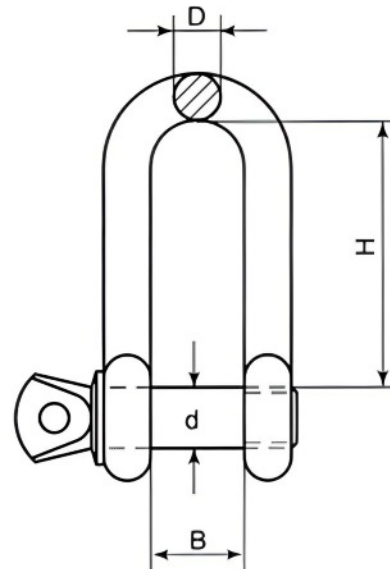


## DEE SHACKLE LONG TYPE



SIZE	CODE	WEIGHT (g)	D/d	B	H	WLL
4	SKU0910	20	4	8	32	150
5	SKU0911	25	5	10	40	240
6	SKU0912	32	6	12	45	340
8	SKU0913	110	8	16	64	600
10	SKU0914	160	10	20	75	750
12	SKU0915	250	12	24	96	1150

Notes : Dimensions are a guide and may vary slightly. Pls check with us for dimension critical applications.

If Break (BL), Safe working load (SWL) or Working load limit (WLL) are shown:  
This is a guide only. (Do not use for lifting unless it is a certified lifting product)

### DEE SHACKLE LONG TYPE

This Dee shackle offers superior strength and corrosion resistance, making it suitable for use in harsh environments. The long design provides additional versatility and ease of use, allowing for convenient attachment and detachment of loads.

MATERIAL TYPE	316 STAINLESS
FINISH	POLISHED

### ADVANTAGES

- Strong & durable
- Quick and easy connection
- A4 Stainless steel
- More flexibility with attachment