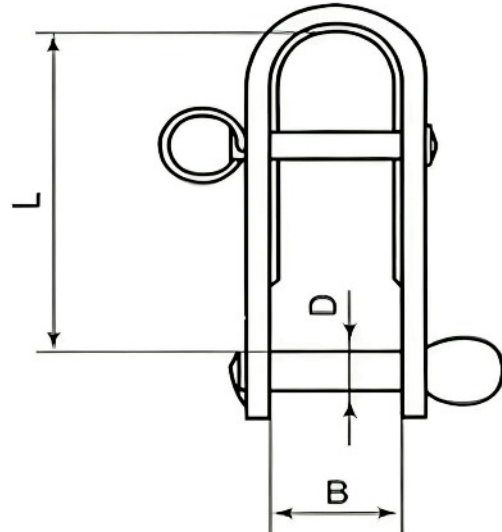


HALYARD SHACKLE SHORT TYPE



SIZE	CODE	WEIGHT (g)	D	L	B
5	SKU1720	20	5	26	12
6	SKU1760	27	6	26	14
8	SKU1800	55	8	41	20

Notes : Dimensions are a guide and may vary slightly. Pls check with us for dimension critical applications.
 If Break (BL), Safe working load (SWL) or Working load limit (WLL) are shown:
 This is a guide only. (Do not use for lifting unless it is a certified lifting product)

HALYARD SHACKLE SHORT TYPE

A halyard shackle is an essential component of marine equipment utilized in sailing. Constructed from robust materials such as stainless steel, it links halyards (ropes employed to raise sails) to the sail fittings, providing reliable and effective management of sails on boats and yachts.

MATERIAL TYPE	316 STAINLESS
FINISH	POLISHED

ADVANTAGES

- Strong & durable
- Quick and easy connection
- A4 Stainless steel