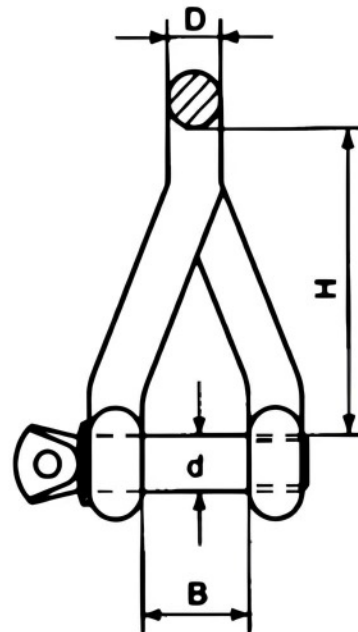


## TWISTED SHACKLE



SIZE	CODE	WEIGHT (g)	D/d	B	H	WLL
4	SKU1480	10	4	8	23	150
5	SKU1520	21	5	10	28	240
6	SKU1560	32	6	12	37	340
8	SKU1600	74	8	16	42	600
10	SKU1640	144	10	20	55	750
12	SKU1680	252	12	25	68	1150

Notes : Dimensions are a guide and may vary slightly. Pls check with us for dimension critical applications.

If Break (BL), Safe working load (SWL) or Working load limit (WLL) are shown:  
This is a guide only. (Do not use for lifting unless it is a certified lifting product)

### TWISTED SHACKLE

Twisted shackles are used where an offset to the direction of the pin is create. To put it another way, they can connect two objects where one object is at 90 degrees. For example, a fixed pulley. They are manufactured in marine grade stainless giving superior corrosion resistance.

MATERIAL TYPE	316 STAINLESS
FINISH	POLISHED

### ADVANTAGES

- Strong & durable
- Quick release screw pin
- A4 Stainless steel