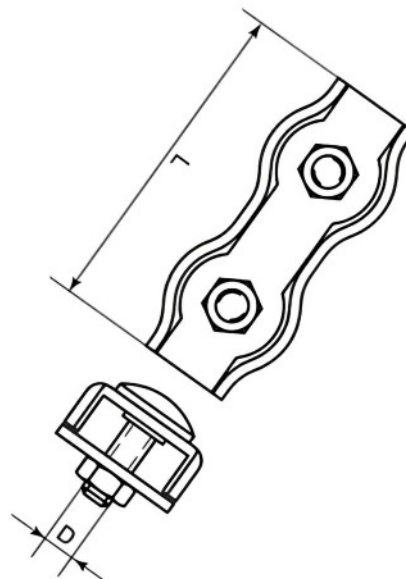


DUPLEX ROPE CLIP



| SIZE (WIRE) | CODE | WEIGHT (g) | L | D |
|-------------|---------|------------|----|----|
| 2(2) | SKU3640 | 10 | 37 | M4 |
| 3(2.5) | SKU3660 | 13 | 40 | M4 |
| 4(3) | SKU3680 | 23 | 43 | M5 |
| 5(4) | SKU3700 | 38 | 53 | M6 |
| 6(5) | SKU3720 | 56 | 60 | M6 |

Notes : Dimensions are a guide and may vary slightly. Pls check with us for dimension critical applications.

If Break (BL), Safe working load (SWL) or Working load limit (WLL) are shown:

This is a guide only. (Do not use for lifting unless it is a certified lifting product)

DUPLEX ROPE CLIP

Duplex Wire Rope Clips are used, with or without thimbles, to create an eye in the end of a length of wire rope.

Should only be used with 7x7 wire up to 4mm and 7x19 wire. Do not use with 1x19 wire. Do not use in lifting applications. Easy installation.

| | |
|---------------|--------------|
| MATERIAL TYPE | A4 STAINLESS |
| FINISH | POLISHED |

ADVANTAGES

- Strong & durable
- Corrosion resistant
- A4 Stainless steel