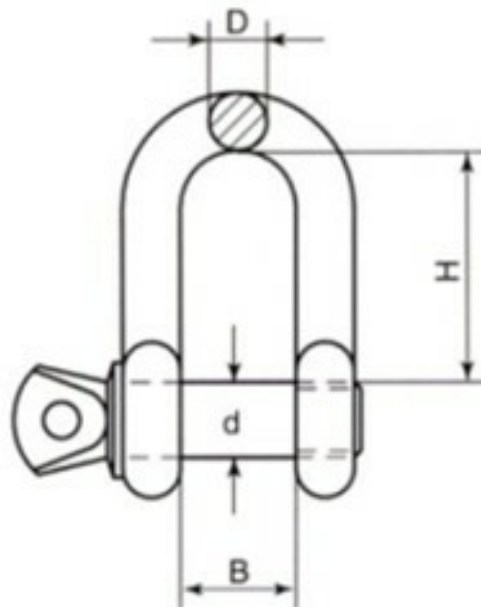


## Aluminium Dee shackle



Part no.	Size (D/d)	B	H
44-6-AL	6	12.3	21
44-8-AL	8	16.5	28.6
44-10-AL	10	20	35
44-12-AL	12	25	43

Notes : Dimensions are a guide and may vary slightly. Pls check with us for dimension critical applications.

If Break (BL), Safe working load (SWL) or Working load limit (WLL) are shown:  
This is a guide only. (Do not use for lifting unless it is a certified lifting product)

### ALUMINIUM DEE SHACKLE

These shackles are lightweight and coloured. They will not corrode due to their material - Aluminium. There are 5 colours available. The colours are created from Anodising, which also gives extra corrosion resistance.

MATERIAL	ALUMINIUM
FINISH	ANODISED
NOTES	NOT TO BE USED FOR LIFTING PURPOSES