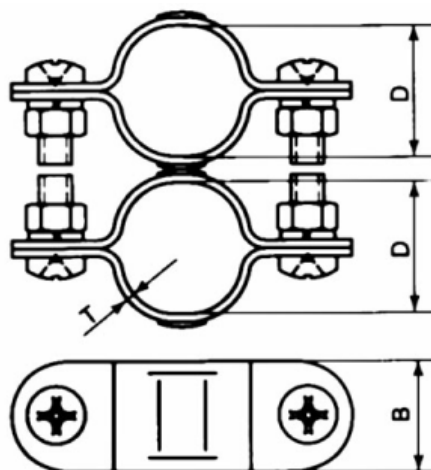


Duplex Clamp



Size	Code	Weight (g)	T (mm)	B	D
25	SKU5760	88	1.5	20	25

Notes : Dimensions are a guide and may vary slightly. Pls check with us for dimension critical applications.
 If Break (BL), Safe working load (SWL) or Working load limit (WLL) are shown:
 This is a guide only. (Do not use for lifting unless it is a certified lifting product)

DUPLEX CLAMP

Used for supporting horizontal and vertical pipelines.

Our Pipe clamps are made from 316 Stainless Steel. Strong and rust resistant.

MATERIAL TYPE	A4 STAINLESS
FINISH	POLISHED

ADVANTAGES

- High corrosion resistance
- Highly durable
- Can be used in water