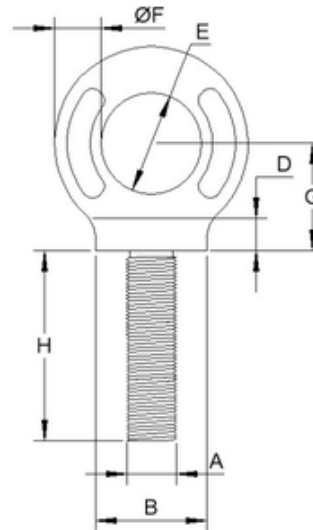


Long Shank Collared Eyebolt



Size A	Code	Weight (g)	B	D	E	F	G	H	SWL Tonne
M10	5080-10	0.18	22	8	14	10	20	178	0.33
M12	5080-12	0.2	28	10	19	11	25	178	0.4
M16	5080-16	0.5	36	12	24	14	32	178	0.8
M20	5080-20	0.8	43	14	28	17	38	178	1.6
M24	5080-24	1.5	57	19	38	22	51	178	2.5

Notes : Dimensions are a guide and may vary slightly. Pls check with us for dimension critical applications.
 If Break (BL), Safe working load (SWL) or Working load limit (WLL) are shown:
 This is a guide only. (Do not use for lifting unless it is a certified lifting product)

LONG SHANK COLLARED EYEBOLT

Typically the eyebolt is screwed into the side of the load rather than the top. The eye must be aligned with the line of pull.

MATERIAL	SELF COLOUR
MATERIAL TYPE	SELF COLOUR