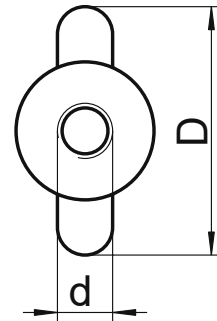
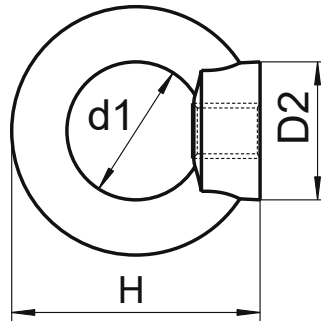


**LOAD RATED LIFTING EYENUTS - Forged to DIN582**



Example image for M16



**CERTIFIED LIFTING PRODUCT**

| Size d | Code A2 - A4<br>(A4 Shown) | Code<br>(BZP) | Weight (g)<br>(Approx.) | D   | d1 | H   | D2 | SWL<br>(Kg) |
|--------|----------------------------|---------------|-------------------------|-----|----|-----|----|-------------|
| M6     | 902-6-CE-A4                | 902-6-CE-BZP  | 50                      | 27  | 16 | 31  | 20 | 70          |
| M8     | 902-8-CE-A4                | 902-8-CE-BZP  | 60                      | 36  | 20 | 36  | 20 | 140         |
| M10    | 902-10-CE-A4               | 902-10-CE-BZP | 105                     | 45  | 25 | 45  | 25 | 230         |
| M12    | 902-12-CE-A4               | 902-12-CE-BZP | 180                     | 54  | 30 | 53  | 30 | 340         |
| M16    | 902-16-CE-A4               | 902-16-CE-BZP | 300                     | 63  | 35 | 62  | 35 | 700         |
| M20    | 902-20-CE-A4               | 902-20-CE-BZP | 440                     | 72  | 40 | 71  | 40 | 1200        |
| M24    | 902-24-CE-A4               | 902-24-CE-BZP | 870                     | 90  | 50 | 90  | 50 | 1800        |
| M30    | N/A                        | 902-30-CE-BZP | 1650                    | 108 | 60 | 110 |    | 3600        |
| M36    | N/A                        | 902-36-CE-BZP | 2650                    | 126 | 70 | 127 |    | 5100        |
| M42    | N/A                        | 902-42-CE-BZP | 4000                    | 144 | 80 | 144 |    | 7000        |
| M48    | N/A                        | 902-48-CE-BZP | 6400                    | 166 | 90 | 176 |    | 8600        |

Notes : Dimensions are a guide and may vary slightly. Pls check with us for dimension critical applications.  
 If Break (BL), Safe working load (SWL) or Working load limit (WLL) are shown:  
 This is a guide only. (Do not use for lifting unless it is a certified lifting product)

**Lifting Eyunuts**

These are dropforged and marked with the correct 4 marking required to issue a CE certificate.  
 That is : Size, Material, WLL, CE mark with batch code

**ADVANTAGES**

- Certificated to CE requirements
- Many sizes and materials available

**Material notes :**

- **A4 Stainless**  
Also known as marine grade (316)
- **A2 Stainless**  
Also known as 304 stainless
- **BZP**  
Bright zinc plated or electrogalvanised