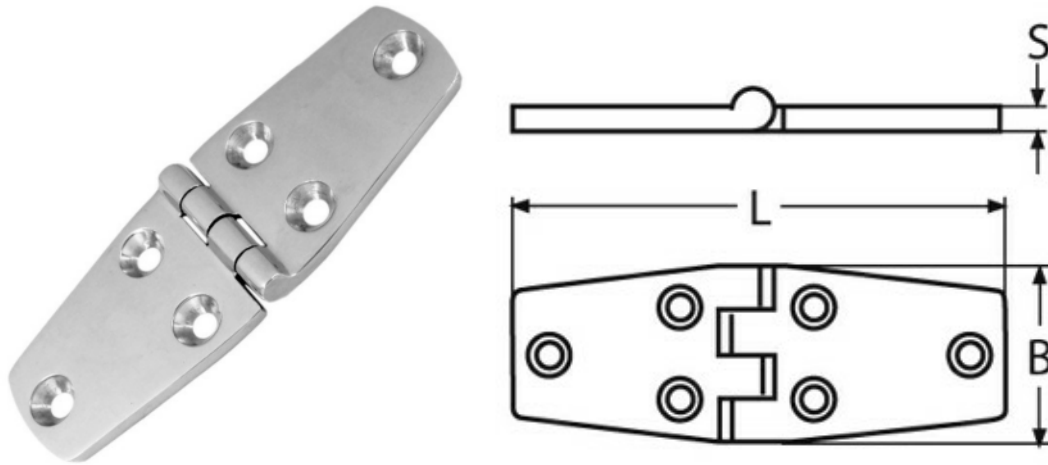


Door Hinge



Code	L	B	S
5185-76-A4	76	38	4
5185-100-A4	100	38	4

Notes : Dimensions are a guide and may vary slightly. Pls check with us for dimension critical applications.
 If Break (BL), Safe working load (SWL) or Working load limit (WLL) are shown:
 This is a guide only. (Do not use for lifting unless it is a certified lifting product)

DOOR HINGE

Easy installation and sleek finish. Made from high quality stainless steel ensuring fantastic corrosion resistance.

MATERIAL	A4 STAINLESS
MATERIAL TYPE	316 STAINLESS STEEL
FINISH	POLISHED