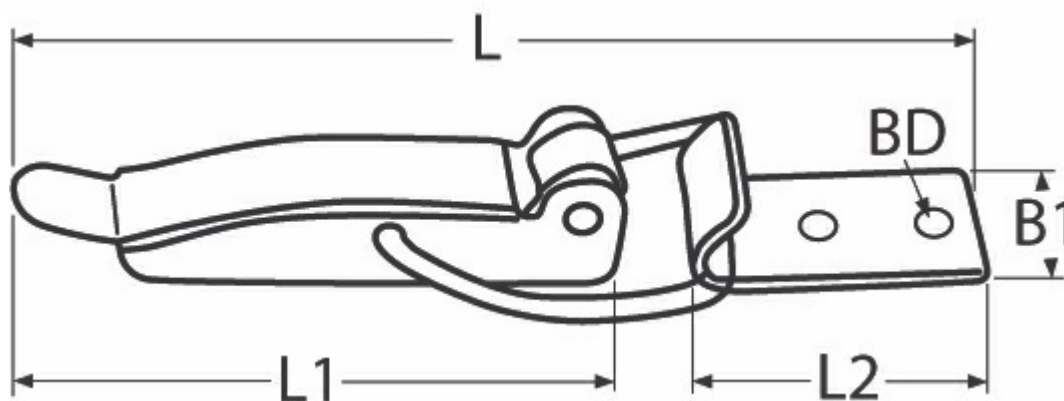


Tensor latch



Code	L	L1	L2	B1	BD	Weight (g)
LAT3-87-A2	87	73	36	19	4.1	54

Notes : Dimensions are a guide and may vary slightly. Pls check with us for dimension critical applications.

If Break (BL), Safe working load (SWL) or Working load limit (WLL) are shown:

This is a guide only. (Do not use for lifting unless it is a certified lifting product)

Door latch with tension bar

These latches can be used to secure items against rattling or just to keep lids or doors from accidental opening. The tension bar gives a secure fit against the stay.

MATERIAL TYPE	A2 STAINLESS
FINISH	POLISHED

ADVANTAGES

- Sturdy construction
- Will not rust
- Strong fixing points
- Easy to use with one hand