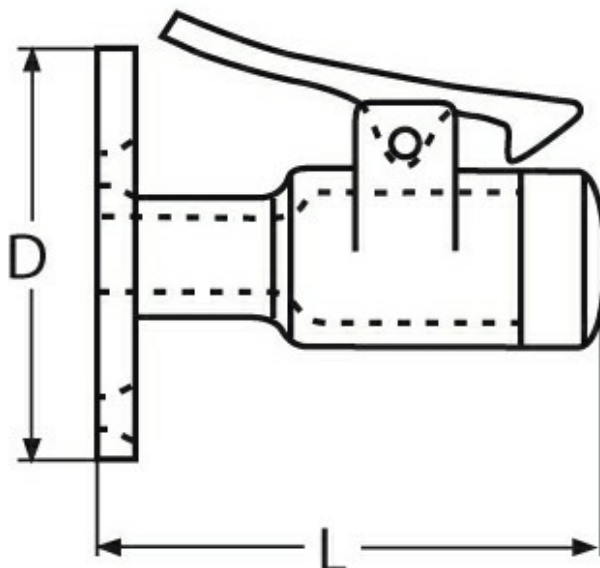


## Door catch



Code	L	D	Weight (g)
<b>DSFR-67-A4</b>	<b>60</b>	<b>50</b>	<b>150</b>
<b>DSFR-85-A4</b>	<b>80</b>	<b>50</b>	<b>180</b>

Notes : Dimensions are a guide and may vary slightly. Pls check with us for dimension critical applications.  
 If Break (BL), Safe working load (SWL) or Working load limit (WLL) are shown:  
 This is a guide only. (Do not use for lifting unless it is a certified lifting product)

### Door catch

The large catch ensures the door is held firmly and allows easy operation to release.

Will never rust and doesn't need maintenance apart from the occasional polish or clean.

<b>MATERIAL TYPE</b>	<b>316 STAINLESS</b>
<b>FINISH</b>	<b>POLISHED</b>

### ADVANTAGES

- 316 stainless - best grade
- Will not rust
- Very strong and robust