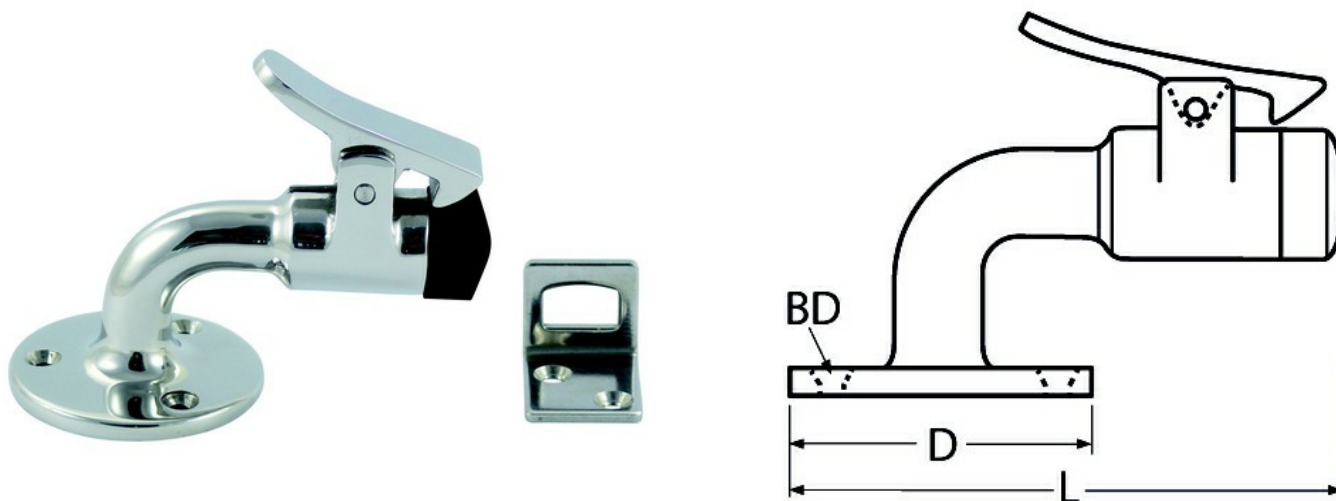


Door catch



Code	L	D	Weight (g)
DSFR-ANG-A4	04/04/1900	50	150

Notes : Dimensions are a guide and may vary slightly. Pls check with us for dimension critical applications
 If Break (BL), Safe working load (SWL) or Working load limit (WLL) are shown:
 This is a guide only. (Do not use for lifting unless it is a certified lifting product)

Door catch 90 degree

This door catch can be secured to the floor rather than a wall, giving an alternative fixing option to the standard door catch. The large catch ensures the door is held firmly and allows easy operation to release.

Will never rust and doesn't need maintenance apart from the occasional polish or clean. Can be used in the home or by the sea in a boat.

MATERIAL TYPE	316 STAINLESS
FINISH	POLISHED

ADVANTAGES

- 316 stainless - best grade
- Will not rust
- Very strong and robust