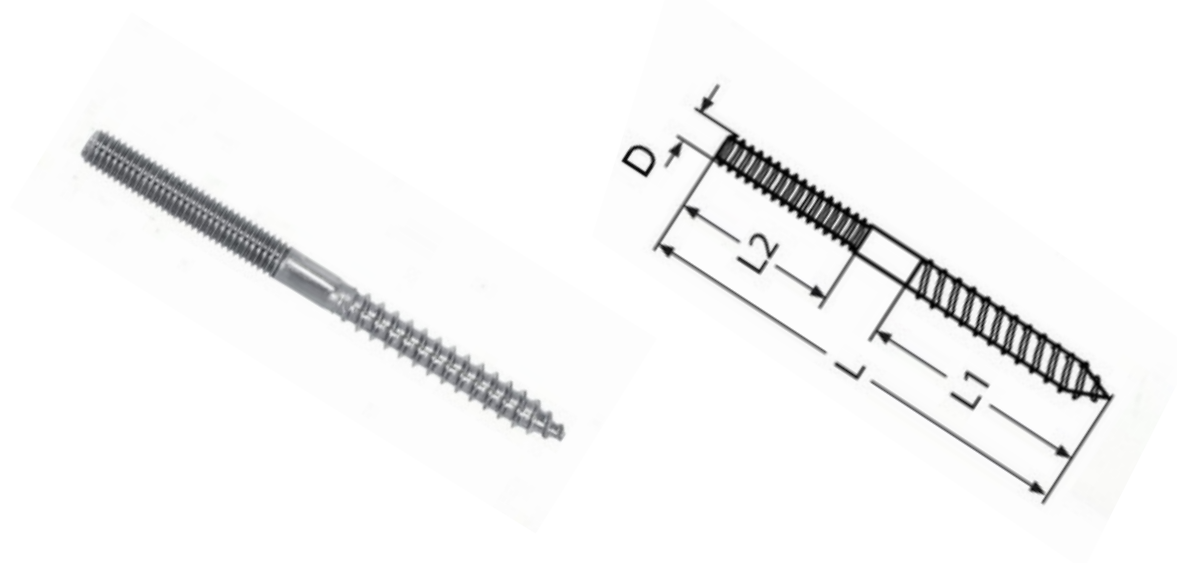


## Dual threaded dowel screw



Size D	Code	Weight (g)	L1	L2	L
M6 Right hand	SKU9178	45	50	35	90
M6 left hand	SKU9180	45	50	35	90

Notes : Dimensions are a guide and may vary slightly. Pls check with us for dimension critical applications.  
 If Break (BL), Safe working load (SWL) or Working load limit (WLL) are shown:  
 This is a guide only. (Do not use for lifting unless it is a certified lifting product)

This dowel screw has a woodscrew thread, with an M6 machine screw thread. This can be used to connect threaded items to wooden posts Perfect to join any internal threaded items to any surface - wood or masonry - with a lag thread one end and a metric thread the other.

<b>MATERIAL TYPE</b>	<b>A4 STAINLESS</b>
<b>FINISH</b>	<b>POLISHED</b>