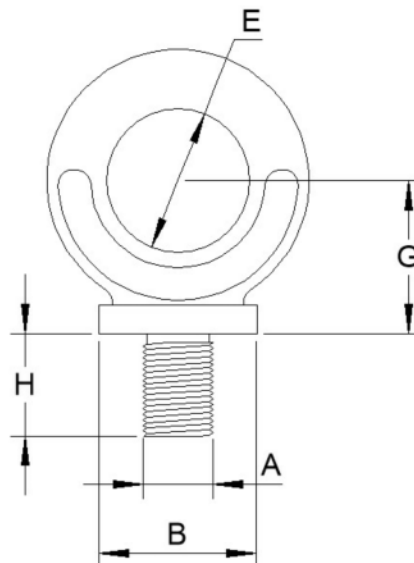


Dynamo Eyebolt BS 4278



**LOAD RATED
STAMPED WITH
WORKING LOAD
(SEE SWL IN TABLE)**

Size A	Code	Weight (g)	B	E	G	H	SWL
M6	5100-6	70	17	22	27	18	0.1
M8	5100-8	80	17	22	27	18	0.15
M10	5100-10	80	17	22	27	18	0.25
M12	5100-12	80	17	22	27	18	0.32
M14	5100-14	0.14	23	29	34	23	0.5
M16	5100-16	0.14	23	29	34	23	0.63
M18	5100-18	0.4	36	35	47	28	1
M20	5100-20	0.4	40	40	47	32	1.25
M22	5100-22	0.6	45	44	53	35	1.6
M24	5100-24	0.78	52	51	60	40	2

Notes : Dimensions are a guide and may vary slightly. Pls check with us for dimension critical applications.
If Break (BL), Safe working load (SWL) or Working load limit (WLL) are shown:
This is a guide only. (Do not use for lifting unless it is a certified lifting product)

DYNAMO EYEBOLT BS 4278

Can be used for various applications such as an attachment point, tapped in holes and vertical and horizontal loading

MATERIAL	SELF COLOUR
MATERIAL TYPE	SELF COLOUR