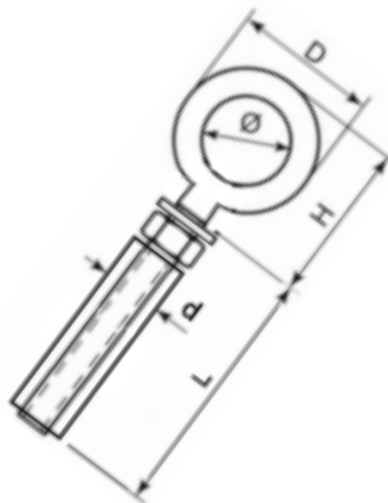


Shield Anchor Eyebolt



Size	Code	Weight (g)	D	L	d	H	Ø
M6x10	SKU9110	28	20.5	48	10	24	10

Notes : Dimensions are a guide and may vary slightly. Pls check with us for dimension critical applications.
 If Break (BL), Safe working load (SWL) or Working load limit (WLL) are shown:
 This is a guide only. (Do not use for lifting unless it is a certified lifting product)

SHIELD ANCHOR EYEBOLT

Made from 316 stainless steel for excellent corrosion resistance. When tightening the eye the shield expands to create a secure fixing.

MATERIAL	STAINLESS STEEL
MATERIAL TYPE	316 STAINLESS STEEL
FINISH	POLISHED