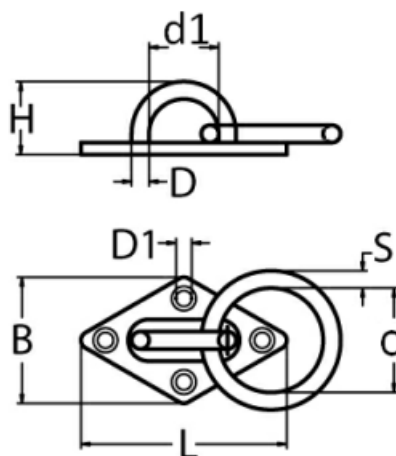


Diamond Eyeplate with ring



Size (D)	Code	L	B	H	d1	d	S
5	SKU6498	60	36	20	16x13	30	3
6	SKU6500	65	40	26	19x16	35	3
8	SKU6502	80	50	32	22x19	45	3

Notes : Dimensions are a guide and may vary slightly. Pls check with us for dimension critical applications.
 If Break (BL), Safe working load (SWL) or Working load limit (WLL) are shown:
 This is a guide only. (Do not use for lifting unless it is a certified lifting product)

Diamond eyeplate with ring

This is eyeplate is part of a larger range of plates. Others include Square, Oval and Round. 4 fixing points with countersunk holes for a flush screw finish. The generous size ring allows rope or large chain to be secured

MATERIAL TYPE	A2 STAINLESS
FINISH	POLISHED

ADVANTAGES

- Large ring for large ropes
- More stylish than other eyeplates