



**STEEL
GEAR**

GALVANISED LARGE DEE SHACKLE



DATASHEET

**STEELGEAR.CO.UK
UNIT 9 THESIGER CLOSE
WORTHING
BN11 2RN**

**www.steelgear.co.uk
info@steelgear.co.uk**

SPECIFICATION :

GALVANISED LARGE DEE SHACKLE

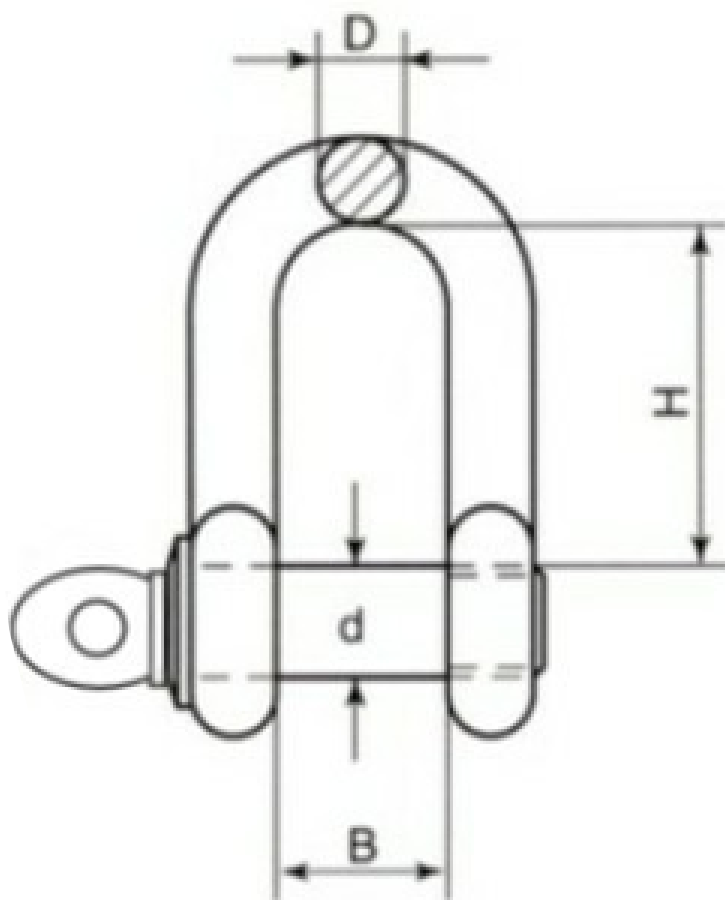
Galvanised Dee shackle made to B.S 3032. Every shackle has a safe working load limit embossed onto the shackle. It has a screw pin lock which is common with many types of shackles. This type of shackle can be used for Lifting purposes.

MATERIAL	GALVANISED
MATERIAL TYPE	GALVANISED
FINISH	
NOTES	CAN BE USED FOR LIFTING

ADVANTAGES

- Galvanised - prevents premature rust and corrosion
- Good for use with many applications
- Highly durable
- Working load limit is embossed on the shackles so they comply with lifting safety standards

DIMENSIONS (mm)



Code	SWL	D	d	H	B
41-050-G	0.50T	3/8"	1/2"	38	19
41-075-G	0.75T	1/2"	5/8"	54	29
41-150-G	1.50T	5/8"	3/4"	64	32
41-200-G	2.00T	3/4"	7/8"	73	38
41-300-G	3.00T	7/8"	1"	83	44
41-375-G	3.75T	1"	1.1/8"	95	50
41-500-G	5.00T	1.1/8"	1.1/4"	105	54

Notes about load limits where shown

SWL or WLL = Safe working load limit (kg) : This is the maximum weight the product should carry.

BL = Break load : This is the maximum weight to break for the product and will vary from batch to batch. You should only use the product at the WLL or 1/4 the break load.

The above are guides for sizing of products and not a recommendation.

Do not use any product for lifting unless drawing is marked suitable for lifting - with this symbol

