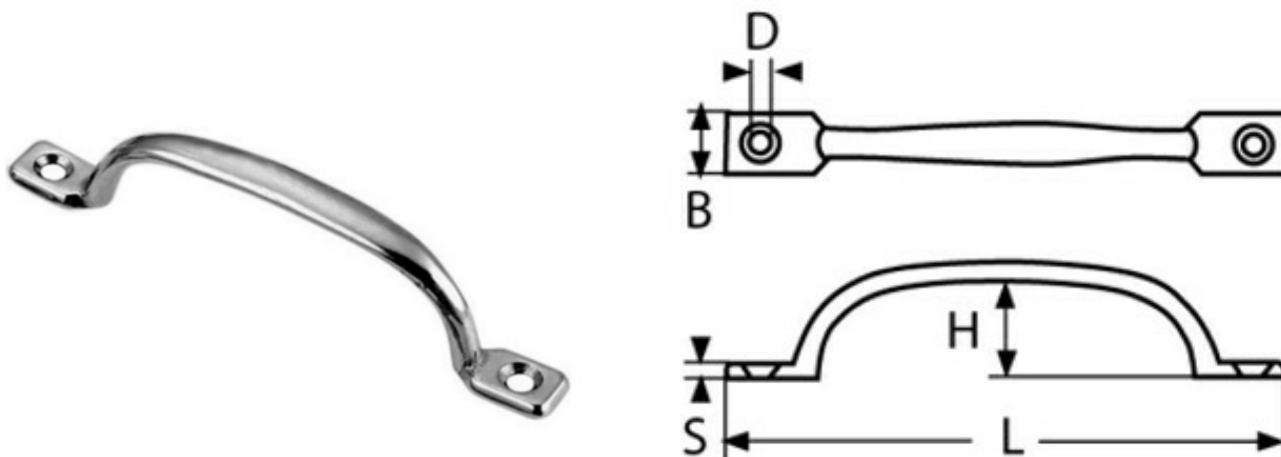


Handle - 2 Hole rounded



Code	L	H	S	B	D
5300-A4	150	27.5	3.6	17	6.5

Notes : Dimensions are a guide and may vary slightly. Pls check with us for dimension critical applications.
 If Break (BL), Safe working load (SWL) or Working load limit (WLL) are shown:
 This is a guide only. (Do not use for lifting unless it is a certified lifting product)

Handle with 2 countersunk holes

Use where corrosion resistance is important.

Sturdy handle for doors or cabinets etc.

MATERIAL TYPE	A4 STAINLESS
FINISH	POLISHED