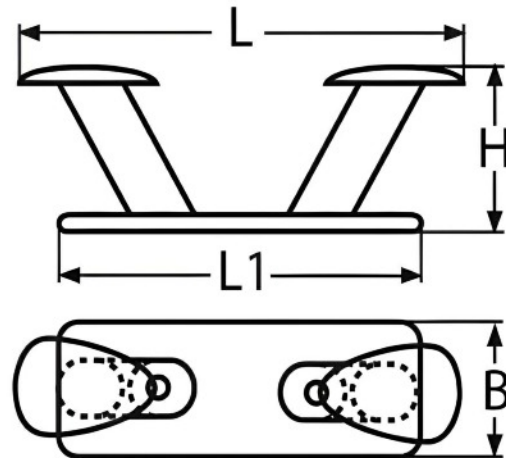


HORN BOLLARD



CODE	L	L1	B	H	GW (Fixing Hole)
5150-150-A4	160	150	60	65	M10
5150-165-A4	200	165	65	70	M10
5150-200-A4	220	200	70	85	M10
5150-255-A4	300	255	80	100	M12
5150-310-A4	340	310	90	115	M18

Notes : Dimensions are a guide and may vary slightly. Pls check with us for dimension critical applications
 If Break (BL), Safe working load (SWL) or Working load limit (WLL) are shown:
 This is a guide only. (Do not use for lifting unless it is a certified lifting product)

HORN BOLLARD

A4 stainless steel horn bollards are essential fixtures designed for reliable and secure mooring solutions in maritime environments. Crafted from high-grade A4 stainless steel, also known as 316 stainless steel, these bollards are renowned for their exceptional corrosion resistance, making them ideal for prolonged exposure to saltwater and harsh marine conditions. The horn-shaped design not only enhances their structural integrity but also provides multiple points for securing ropes and lines, ensuring safe and efficient mooring of boats and ships in docks, marinas, and harbours.

MATERIAL TYPE	A4 STAINLESS
FINISH	POLISHED

ADVANTAGES

- Good for various applications
- Highly durable