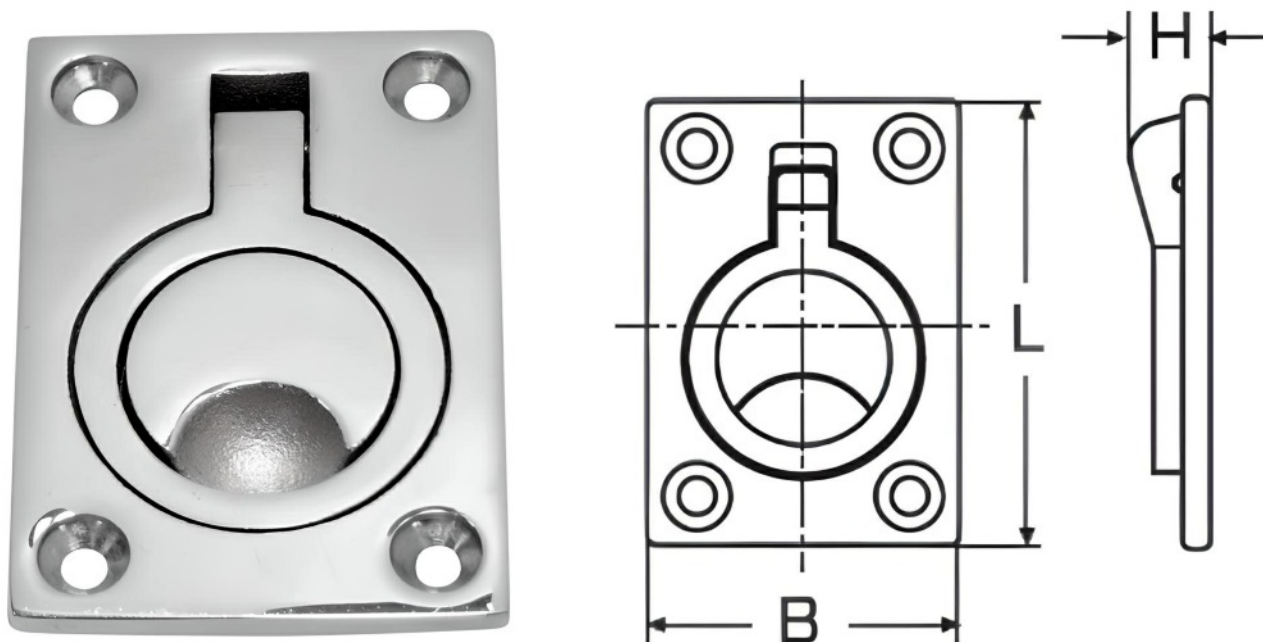


## LIFTING RING WITH RECTANGULAR PLATE



| CODE   | L  | B  | H |
|--------|----|----|---|
| 620-63 | 63 | 44 | 8 |

Notes : Dimensions are a guide and may vary slightly. Pls check with us for dimension critical applications  
 If Break (BL), Safe working load (SWL) or Working load limit (WLL) are shown:  
 This is a guide only. (Do not use for lifting unless it is a certified lifting product)

## LIFTING RING WITH RECTANGULAR PLATE

stainless steel lifting ring with a rectangular plate is a robust hardware accessory designed for secure lifting and handling. Crafted from high-quality A4 stainless steel (316 grade) for superior corrosion resistance and durability, this lifting ring is attached to a sturdy rectangular plate for easy mounting. Ideal for both indoor and outdoor use, it is suitable for residential, commercial, and industrial applications, providing a reliable and strong grip for various lifting tasks.

|               |              |
|---------------|--------------|
| MATERIAL TYPE | A4 STAINLESS |
| FINISH        | POLISHED     |

## ADVANTAGES

- Good for various applications
- Highly durable