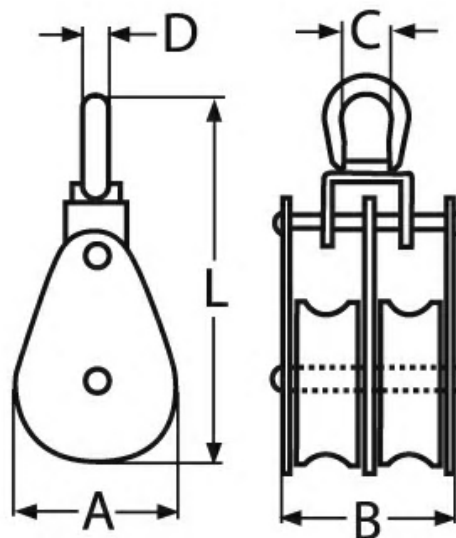


Pulley - Double block



Code	Reel	Groove	A(mm)	B	C	D	L
SKU93416	25	8	27	37	13	5	88
SKU93418	32	8	35	42	17	6	98
SKU93420	50	14	54	54	19	8	143

Notes : Dimensions are a guide and may vary slightly. Pls check with us for dimension critical applications.
 If Break (BL), Safe working load (SWL) or Working load limit (WLL) are shown:
 This is a guide only. (Do not use for lifting unless it is a certified lifting product)

Pulley - Double block

Use where corrosion resistance is important.

See also single block pulley, where less loading / mechanical advantage is required

MATERIAL TYPE	A2 STAINLESS
FINISH	POLISHED

ADVANTAGES

- High corrosion resistance
- Highly durable
- Can be used in water