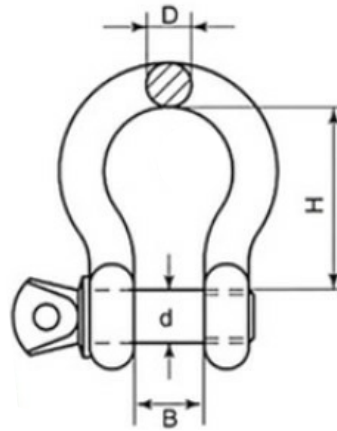


# ZINC PLATED BOW SHACKLE



Size (D)	B	d	H
5	10	5	20
6	12	6	24
8	16	8	32
10	20	10	40
11	22	11	44
12	24	12	48
16	32	16	64
20	40	20	80
22	44	22	88
25	50	25	100

Notes : Dimensions are a guide and may vary slightly. Pls check with us for dimension critical applications.  
 If Break (BL), Safe working load (SWL) or Working load limit (WLL) are shown:  
 This is a guide only. (Do not use for lifting unless it is a certified lifting product)

## ZINC PLATED BOW SHACKLE

Bow shackles are designed to handle loads in many directions. This product comes in sizes 4-16mm, and is made from Steel that is electro galvanised, this give it a Zinc plated finish. We also stock Dee Shackles and Load rated bow shackles for lifting applications

MATERIAL TYPE	ZINC PLATED
---------------	-------------

## ADVANTAGES

- Galvanised - prevents premature rust and corrosion
- Good for use with many applications
- Highly durable