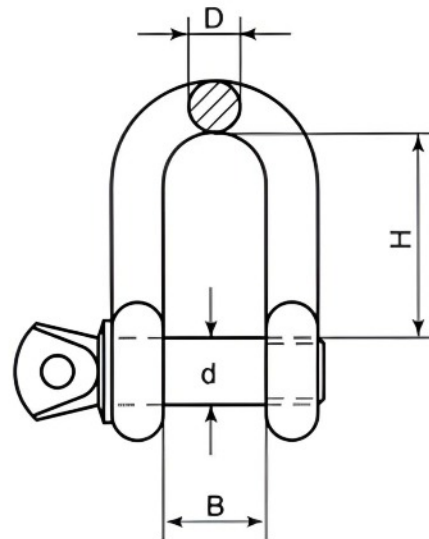


DEE SHACKLE



SIZE	CODE	WEIGHT (g)	D/d	B	H	WLL
4	SKU1000	8.2	4	8	14	150
5	SKU1040	15.5	5	10	17	240
6	SKU1080	24.7	6	12	21	340
8	SKU1120	57.4	8	16	28	600
10	SKU1160	105.2	10	20	35	750
12	SKU1200	193	12	24	42	1150
14	SKU1205	360	14	28	45	1500
16	SKU1210	445	16	32	56	1700
19	SKU1220	805	19	38	66	2700
22	SKU1225	1270	22	44	77	3300
25	SKU1230	1900	25	50	86	4000
32	SKU1235	3000	32	64	108	5000

Notes : Dimensions are a guide and may vary slightly. Pls check with us for dimension critical applications.

If Break (BL), Safe working load (SWL) or Working load limit (WLL) are shown:
This is a guide only. (Do not use for lifting unless it is a certified lifting product)

DEE SHACKLE

Dee Shackles are best suited to bidirectional load situations, such as connection points on sails and with chain. This product comes in sizes 4-32mm.

MATERIAL TYPE	316 STAINLESS
FINISH	POLISHED

ADVANTAGES

- Strong & durable
- Quick and easy connection
- A4 Stainless steel