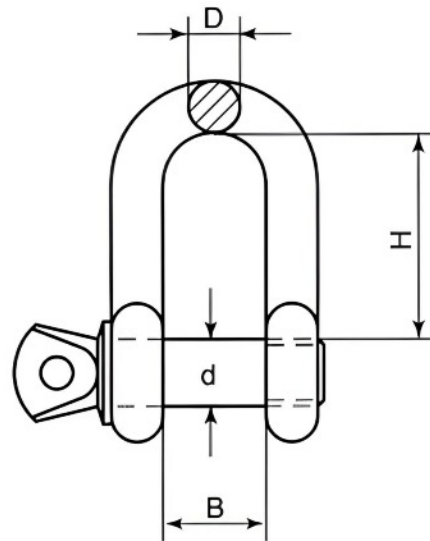


DEE SHACKLE - WITH CAPTIVE PIN



| SIZE | CODE | WEIGHT (g) | D/d | B | H | WLL |
|------|----------|------------|-----|----|----|------|
| 4 | SKU12351 | 8.2 | 4 | 8 | 14 | 150 |
| 5 | SKU12352 | 15.5 | 5 | 10 | 17 | 240 |
| 6 | SKU12353 | 24.7 | 6 | 12 | 21 | 340 |
| 8 | SKU12354 | 57.4 | 8 | 16 | 28 | 600 |
| 10 | SKU12355 | 105.2 | 10 | 20 | 35 | 750 |
| 12 | SKU12356 | 193 | 12 | 24 | 42 | 1150 |

Notes : Dimensions are a guide and may vary slightly. Pls check with us for dimension critical applications.

If Break (BL), Safe working load (SWL) or Working load limit (WLL) are shown:
This is a guide only. (Do not use for lifting unless it is a certified lifting product)

DEE SHACKLE - WITH CAPTIVE PIN

The collared self-retaining pin is engineered to remain securely inside the shackle body, guaranteeing continuous connection between the pin and the shackle body, even when it is open.

| | |
|---------------|---------------|
| MATERIAL TYPE | 316 STAINLESS |
| FINISH | POLISHED |

ADVANTAGES

- Strong & durable
- Quick and easy connection
- A4 Stainless steel