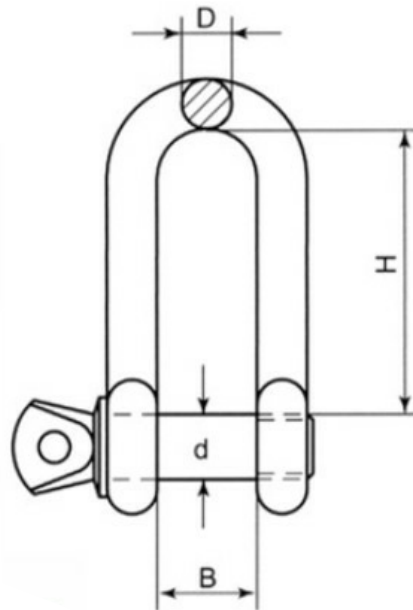


## ZINC PLATED LONG DEE SHACKLE



Size (D)	B	d	H
5	10	5	37
6	12	6	45
8	16	8	60
10	20	10	75
12	24	12	90

Notes : Dimensions are a guide and may vary slightly. Pls check with us for dimension critical applications.  
 If Break (BL), Safe working load (SWL) or Working load limit (WLL) are shown:  
 This is a guide only. (Do not use for lifting unless it is a certified lifting product)

### ZINC PLATED LONG DEE SHACKLE

This type of Dee shackle has a much longer body than a standard Dee shackle. Making it suitable for applications that require the body height to be larger than a conventional Dee shackle.

This variety has a Zinc plated finish which offers some protection from the environment, but should not be used in a marine environment, as it will corrode.

<b>MATERIAL TYPE</b>	<b>ZINC PLATED</b>
----------------------	--------------------

### ADVANTAGES

- Galvanised - prevents premature rust and corrosion
- Good for use with many applications
- Highly durable