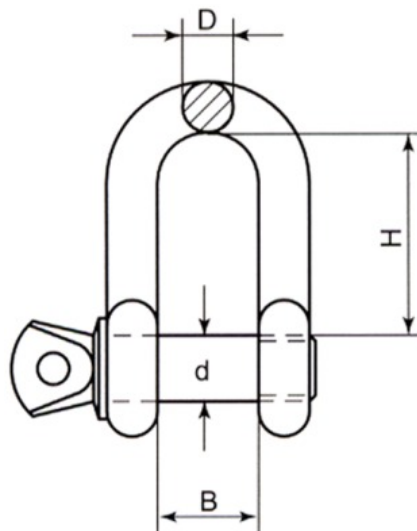


Load Rated Dee shackle (Screw pin)



COMES WITH DECLARATION OF CONFORMITY

SWL Tonnes	Code	Weight (g)	D	B	H	d
1	SKU0930	140	10	17	32	11
2	SKU0931	380	12	21	41	16
3	SKU0932	660	16	27	51	20
4	SKU0933	1050	20	32	60	22
5	SKU0934	1460	22	37	71	26
6	SKU0935	2590	25	43	81	28

Notes : Dimensions are a guide and may vary slightly. Pls check with us for dimension critical applications.

If Break (BL), Safe working load (SWL) or Working load limit (WLL) are shown:
This is a guide only. (Do not use for lifting unless it is a certified lifting product)

LOAD RATED SCREW PIN TYPE DEE SHACKLE

This type of dee shackle is forged and has a larger pin than standard dee shackles. It has a working load limit allocated to it and comes with a certificate. It is excellent for use in applications where a load limit is required for the product

ADVANTAGES

- High corrosion resistance
- Highly durable
- Load rated and forged for high strength

MATERIAL TYPE	A4 STAINLESS
FINISH	POLISHED