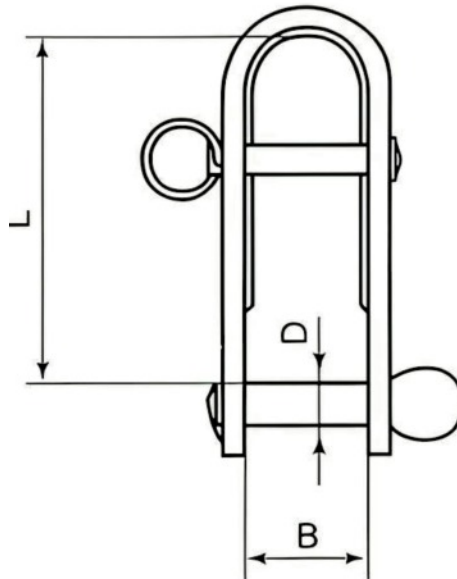


## HALYARD SHACKLE LONG TYPE



SIZE	CODE	WEIGHT (g)	D	L	B
5	SKU1840	25	5	36	15
6	SKU1880	32	6	40	14

Notes : Dimensions are a guide and may vary slightly. Pls check with us for dimension critical applications.  
 If Break (BL), Safe working load (SWL) or Working load limit (WLL) are shown:  
 This is a guide only. (Do not use for lifting unless it is a certified lifting product)

### HALYARD SHACKLE LONG TYPE

A halyard shackle is an essential component of marine equipment utilized in sailing. Constructed from robust materials such as stainless steel, it links halyards (ropes employed to raise sails) to the sail fittings, providing reliable and effective management of sails on boats and yachts.

MATERIAL TYPE	316 STAINLESS
FINISH	POLISHED

### ADVANTAGES

- Strong & durable
- Quick and easy connection
- A4 Stainless steel