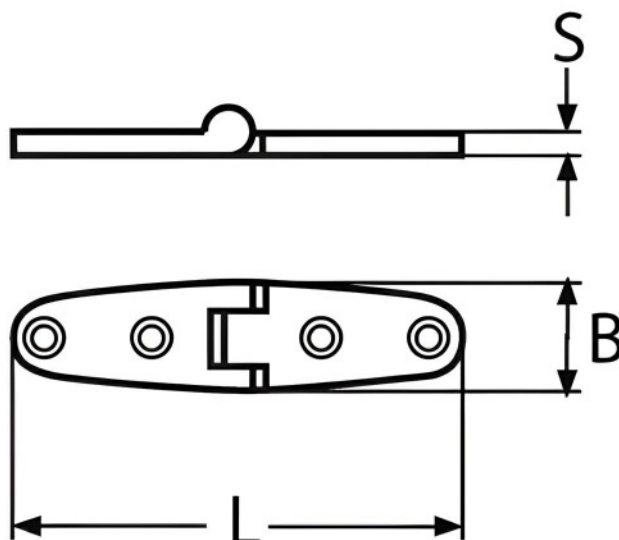


STRAP HINGE



CODE	L	B	S
5210-A4	100	25	4

Notes : Dimensions are a guide and may vary slightly. Pls check with us for dimension critical applications.
 If Break (BL), Safe working load (SWL) or Working load limit (WLL) are shown:
 This is a guide only. (Do not use for lifting unless it is a certified lifting product)

STRAP HINGE

Our A4 stainless steel strap hinge is a robust and versatile hardware component designed for sturdy and secure mounting of doors, gates, cabinets, and other fixtures. Crafted from high-quality A4 stainless steel (316 grade), known for its excellent corrosion resistance and durability, this hinge features a strap-like design that provides strong support and smooth operation

MATERIAL TYPE	A4 STAINLESS
FINISH	POLISHED

ADVANTAGES

- Strong & durable
- High corrosion resistance
- A4 Stainless steel