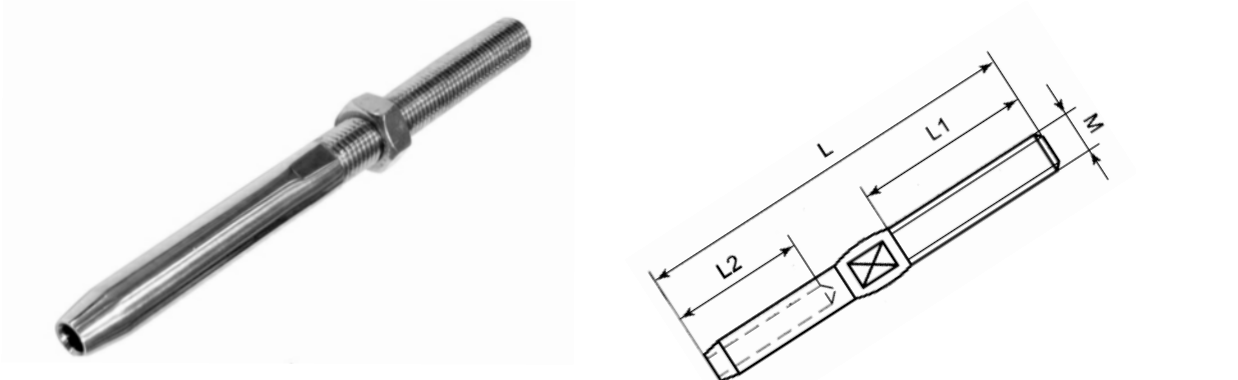


Swage stud terminal LH thread



Size M / Wire	Code	Weight (g)	M	L	L1	L2	Break (kg)
M4/2mm	SKU3136	9	M4	74	38	26	800
M5/2.5mm	SKU3137	10	M5	87	40	32	800
M6/3mm	SKU3139	15	M6	98	48	39	1300
M6/4mm	SKU3141	21	M6	105	48	45	1300
M8/4mm	SKU3143	38	M8	112	55	45	2350
M10/5mm	SKU3145	65	M10	130	63	52	3500
M12/6mm	SKU3147	135	M12	160	80	60	5100
M16/8mm	SKU3149	200	M16	200	100	80	8000
M20/10mm	SKU3151	280	M20	230	120	90	13000
M20/12mm	SKU3153	300	M20	245	120	105	13000

Notes : Dimensions are a guide and may vary slightly. Pls check with us for dimension critical applications.
 If Break (BL), Safe working load (SWL) or Working load limit (WLL) are shown:
 This is a guide only. (Do not use for lifting unless it is a certified lifting product)

Swage stud terminal for wire rope - A4 stainless

This terminal is designed for roller or press swaging onto the appropriate size wire rope shown on the chart. The thread is Left handed.

(See Right hand thread stud for an opposing terminal that can be used on the opposite side)

MATERIAL TYPE	A4 STAINLESS
FINISH	POLISHED

Material notes :

- **A4 Stainless**
Also known as marine grade (316)