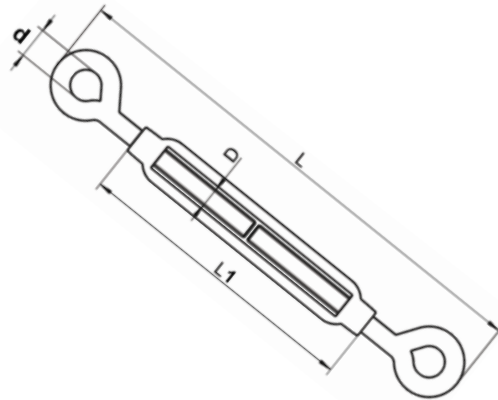


Eye to eye open body turnbuckle



Size D	Code	Weight (g)	D	L	L1	Break (kg) (Guide only)
M5	SKU3186	45	8	120	70	750
M6	SKU3188	90	10	150	90	1400
M8	SKU3190	150	14	200	120	2200
M10	SKU3192	250	16	240	150	3450
M12	SKU3194	600	18	310	200	5000
M16	SKU3196	1500	26	390	250	6800
M20	SKU3198	2200	30	440	300	8200

Notes : Dimensions are a guide and may vary slightly. Pls check with us for dimension critical applications.

If Break (BL), Safe working load (SWL) or Working load limit (WLL) are shown:
This is a guide only. (Do not use for lifting unless it is a certified lifting product)

Turnbuckle open body with eye and eye

This is a basic turnbuckle and can be used for tightening applications, such as sail shades or rope. this is part of a range of many different Turnbuckles that are all 316 marine grade stainless. Use in applications such as catenary wires, rigging, fencing, sail shades.

See Hook to Hook, Eye to hook turnbuckles as alternatives

MATERIAL	A4 STAINLESS
MATERIAL TYPE	MARINE GRADE STAINLESS
FINISH	POLISHED
NOTES	NOT TO BE USED FOR LIFTING PURPOSES

ADVANTAGES

- Large tensioning range
- Quick and easy to use