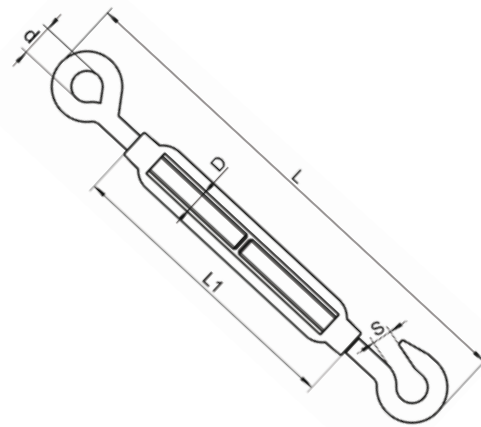


## Hook to eye open body turnbuckle



Size D	Code	Weight (g)	d	L	L1	S	Break (kg) (Guide only)
M5	SKU3200	45	8	120	70	8	750
M6	SKU3202	90	10	150	90	9	1400
M8	SKU3204	150	14	200	120	11	2200
M10	SKU3206	250	16	240	150	12	3450
M12	SKU3208	600	18	310	200	14	5000
M16	SKU3210	1500	26	390	250	16	6800
M20	SKU3212	2200	30	440	300	18	8200

Notes : Dimensions are a guide and may vary slightly. Pls check with us for dimension critical applications.

If Break (BL), Safe working load (SWL) or Working load limit (WLL) are shown:  
This is a guide only. (Do not use for lifting unless it is a certified lifting product)

### Turnbuckle open body with eye and hooks

This is a basic turnbuckle and can be used for tightening applications, such as sail shades or rope. this is part of a range of many different Turnbuckles that are all 316 marine grade stainless. Use in applications such as catenary wires, rigging, fencing, sail shades. See Hook to Hook, Eye to eye turnbuckles as alternatives

<b>MATERIAL</b>	<b>A4 STAINLESS</b>
MATERIAL TYPE	MARINE GRADE STAINLESS
FINISH	POLISHED
NOTES	NOT TO BE USED FOR LIFTING PURPOSES

### ADVANTAGES

- Large tensioning range
- Quick and easy to use