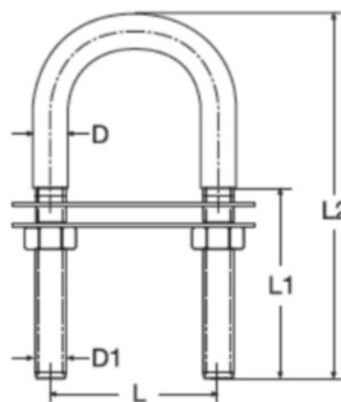


U-bolt with two counterplates



Code	D1	L1	L2	L	D
5165-430-A4	M4	30	62	30	5
5165-548-A4	M5	48	78	36	6
5165-642-A4	M6	42	80	36	8
5165-840-A4	M8	40	80	35	10
5165-852-A4	M8	52	100	45	10
5165-1035-A4	M10	35	90	50	12
5165-1055-A4	M10	55	110	50	12
5165-1080-A4	M10	80	135	50	12
5165-1265-A4	M12	65	135	60	14
5165-1285-A4	M12	85	150	60	14



Notes : Dimensions are a guide and may vary slightly. Pls check with us for dimension critical applications.
 If Break (BL), Safe working load (SWL) or Working load limit (WLL) are shown:
 This is a guide only. (Do not use for lifting unless it is a certified lifting product)

Strong U bolt with thick u section and 2 plates. With the two plates, it can be used to give a lashing point on the deck of the boat. Or the two plates can sandwich a panel for use When securing a pipe.

Note : we also manufacture Bespoke sizes of U bolt as well a J bolt, hangar bolts, V bolts etc. Available in a wide variety of materials.

MATERIAL TYPE	A4 STAINLESS
FINISH	POLISHED

Advantages

-  Standard sizes despatched from stock
-  Non-standard sizes made to order