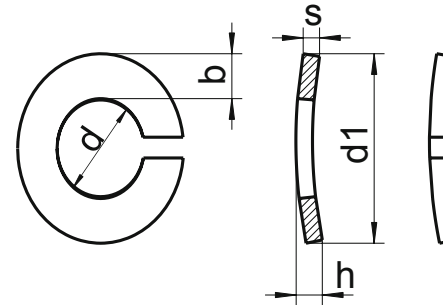


**BUY  
ONLINE****Available in :**

- A2 Stainless
- A4 Stainless

Nominal size	for	d min.	d1 max.	h min.	h max.	s	b
2	M2	2.1	4.4	1	0.9	0.5	0.9
2.3	M2.3	2.3	4.8	1.2	1.1	0.6	1
2.5	M2.5	2.6	5.1	1.2	1.1	0.6	1
2.6	M2.6	2.7	5.2	1.2	1.1	0.6	1
3	M3	3.1	6.2	1.6	1.3	0.8	1.31
3.5	M3.5	3.6	6.7	1.6	1.3	0.8	1.31
4	M4	4.1	7.6	1.8	1.4	0.9	1.51
5	M5	5.1	9.2	2.4	1.7	1.2	1.8
6	M6	6.1	11.8	3.2	2.2	1.6	2.5
8	M8	8.1	14.8	4	2.75	2	3
10	M10	10.2	18.1	4.4	3.15	2.2	3.5

Nominal size	for	d min.	d1 max.	h min.	h max.	s	b
12	M12	12.2	21.1	5	3.65	2.5	4
14	M14	14.2	24.1	6	4.3	3	4.5
16	M16	16.2	27.4	7	5.1	3.5	5
18	M18	18.2	29.4	7	5.1	3.5	5
20	M20	20.2	33.6	8	5.9	4	6
22	M22	22.5	35.9	8	5.9	5	6
24	M24	24.5	40	10	7.5	5	7
27	M27	27.5	43	10	7.5	5	7
30	M30	30.5	48.2	12	10.5	6	8
36	M36	36.5	58.2	12	11.3	6	10

For part no.  
Please see  
website or catalogue

NB. This drawing and its dimensions to be used as a guide. For dimension critical applications please ask

**STEEL  
GEAR**  
Stainless steel fasteners & fittings

**STEELGEAR.CO.UK**  
**UNIT 9 THESIGER CLOSE**  
**WORTHING**  
**BN11 2RN**  
**01903 331391**  
**www.steelgear.co.uk**  
**info@steelgear.co.uk**

Steelgear is a trading name of DARAC LTD

Title:

**SPRING LOCK WASHERS** Type A,  
curved  
**DIN128A**

SIZE

**A4**

DWG NO.

**W128A**

REV

**1**