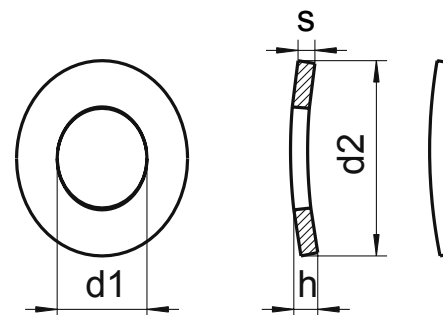


**BUY  
ONLINE**

Available in :

○ A2 Stainless

Nominal size	for	d	d1	h min.	h max.	s
1.4	M1.4	1.5	3	0.4	0.8	0.25
1.6	M1.6	1.8	4	0.45	0.9	0.25
1.7	M1.7	1.8	4	0.45	0.9	0.25
2	M2	2.2	4.5	0.5	0.51	0.3
2.3	M2.3	2.5	5	0.5	1	0.3
2.5	M2.5	2.6	5.5	0.55	1.1	0.3
2.6	M2.6	2.8	5.5	0.55	1.1	0.3

Nominal size	for	d	d1	h min.	h max.	s
3	M3	3.2	6	0.65	1.3	0.4
3.5	M3.5	3.7	7	0.7	1.4	0.4
4	M4	4.3	8	0.8	1.6	0.5
5	M5	5.3	10	0.9	1.8	0.5
6	M6	6.4	11	1.1	2.2	0.5
7	M7	7.4	12	1.2	2.4	0.5
8	M8	8.4	15	1.7	3.4	0.5
10	M10	10.5	18	2	4	0.8

For part no.  
Please see website or catalogue

NB. This drawing and its dimensions to be used as a guide. For dimension critical applications please ask



**STEEL  
GEAR**  
Stainless steel fasteners & fittings

**STEELGEAR.CO.UK**  
**UNIT 9 THESIGER CLOSE**  
**WORTHING**  
**BN11 2RN**  
**01903 331391**  
**www.steelgear.co.uk**  
**info@steelgear.co.uk**

Steelgear is a trading name of DARAC LTD

Title:

**SPRING LOCK WASHERS** Type A,  
**DIN137A** curved

SIZE

**A4**

DWG NO.

**W137A**

REV

**1**