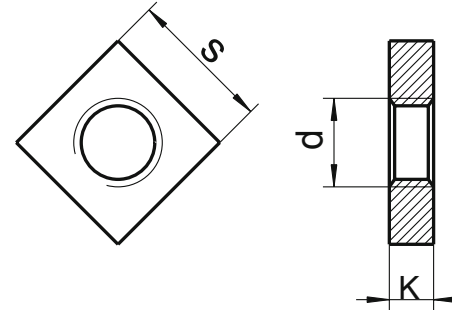


**BUY
ONLINE**



Available in :

○ A2 Stainless

● A4 Stainless

d	m	s	●
M1.6	1	3.2	3.2
M2	1.2	4	4
M2.5	1.6	5	5
M3	1.8	5.5	5.5
M4	2.2	7	7
M5	2.7	8	8
M6	3.2	10	10
M8	4	13	13
M10	5	16	16

For part no.
Please see
website or catalogue

NB. This drawing and its dimensions to be used as a guide. For dimension critical applications please ask

**STEEL
GEAR**
Stainless steel fasteners & fittings

STEELGEAR.CO.UK
UNIT 9 THESIGER CLOSE
WORTHING
BN11 2RN
01903 331391
www.steelgear.co.uk
info@steelgear.co.uk

Steelgear is a trading name of DARAC LTD

Title: **DIN562**
SQUARE THIN NUTS

SIZE
A4

DWG NO. **N562**

REV
1