

Hangar bolts for corrugated roof



Dowel screw with flange nuts and Rubber washer



Dowel screw with flange nuts, adaptor plate and Rubber washer.



Dowel screw with flange nuts, adaptor plate, Rubber washer and Renusol rail fitting kit.

Dowel screws with hexagon head and M10 machine screw section for adjustment of mounting plate. With woodscrew for fixing to roof rafters

These dowel screws are perfect for installing rails that hold the solar panels onto corrugated or Trapezoidal roof. Drill a pilot hole in the rafters, screw the dowel in using a hex socket. Seal the corrugated roof by tightening the Rubber washer with the flange nut - Do not Overtighten !

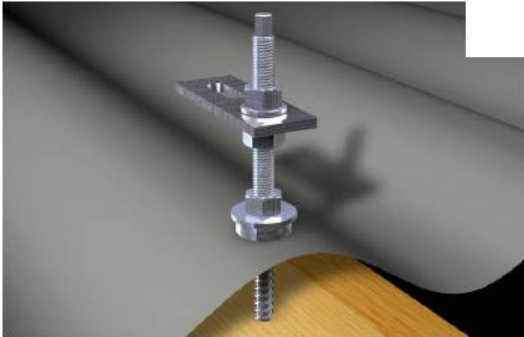
Advantages

- ✓ Fast assembly
- ✓ Cost Efficient

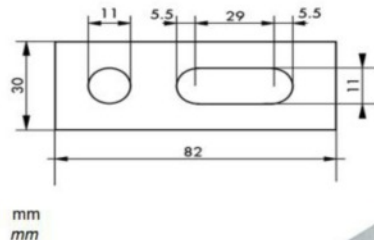
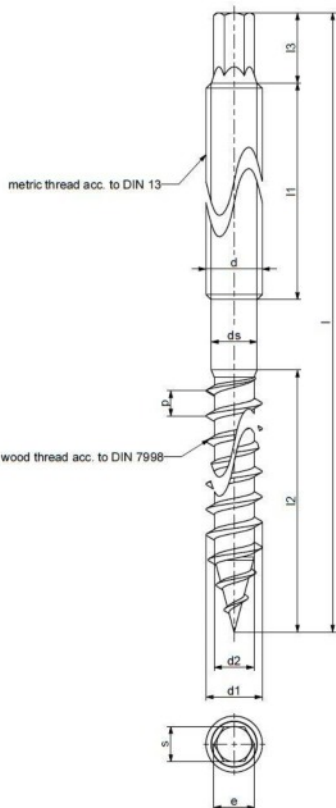
MATERIAL	304 stainless steel / EPDM rubber washer
Requirements	ISO 8992
Mechanical attribute	ISO 3506-1

See page 2 for mounting information

DATASHEET - Hangar bolts and adaptor plate



	Part no.	Thread d	L	L1	L2	D1	D2
Dowel screw	SO180-10X200	M10	200mm	110	70	10	7
Dowel screw and plate	SO180-10X200-PL	M10	200mm	110	70	10	7
Dowel screw and Renusol Kit	SO180-10X200-RE	M10	200mm	110	70	10	7



Use the below parts for securing adaptor plate
To mounting rail

Part no.	Size
SOBHH-M10-A2	M10x25
SON6923-10-A2	M10



This can be used for steelgear rails. It is also compatible with Schletter rails

DATASHEET - Hangar bolt for corrugated roofs