



**STEEL
GEAR**

SOLAR



DATASHEET - Hammerhead bolt

**STEELGEAR.CO.UK
UNIT 9 THESIGER CLOSE
WORTHING
BN11 2RN**

**www.steelgear.co.uk
info@steelgear.co.uk**



STEEL GEAR

SOLAR

MATERIAL

A2 Stainless

NOTES

OK for use with Aluminium on the rail

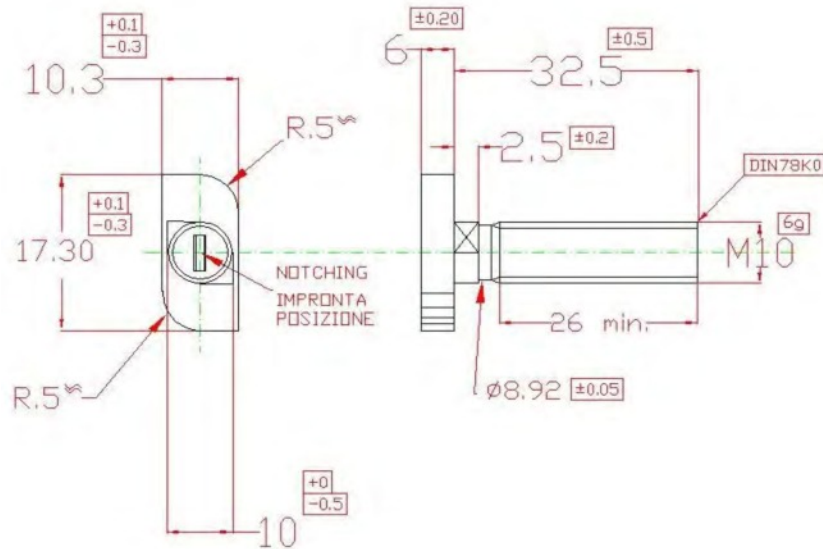
PRACTICES



FIXING OF PV MODULES

Advantages

- ✓ Fast assembly
- ✓ Cost Efficient
- ✓ Secure hold



Part no.	Size
SOBHH-M10-A2	M10x25

DATASHEET - Hammerhead bolt