

Part no. :  
 SO100-CL1-AL - 1m long "micro" rail  
 SO100-CL33-AL - 3.3m long rail  
 SO100-CL43-AL - 4.3m long rail

High strength mounting rail - 40x40 square mm. Uses Clip in in system for mounting clamps And uses M10 hammerhead or Hex head bolt for the roof hook fixing. This rail is also compatible With Schletter rapid clamps and fasteners

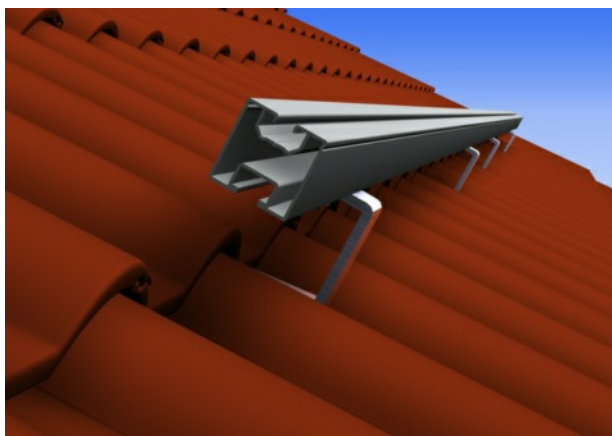
MATERIAL	Aluminium
Requirements	AL - machined - Anodised
Mechanical attribute	High loading

### Advantages

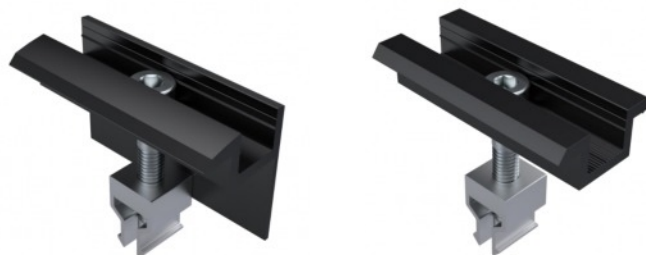
- ✓ Fast assembly
- ✓ Cost Efficient

See page 2 for mounting information

## DATASHEET - clip in rail



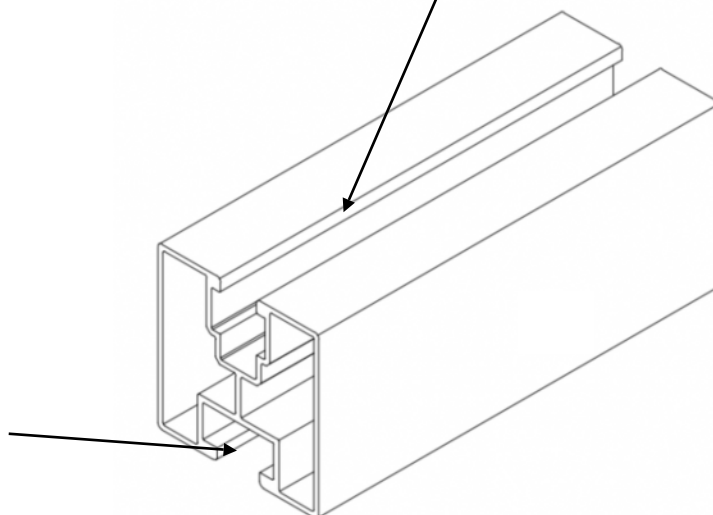
Use steelgear rail connector - Part : SOSTRC40



Use steelgear Mid and end "clip in" clamps  
They adjust to suit 30-40mm depth panels (also compatible With Schletter "rapid" clamps)



M10 Hex  
Bolt or  
Hammerhead  
Each M10x25



## DATASHEET - Clip in mounting rail