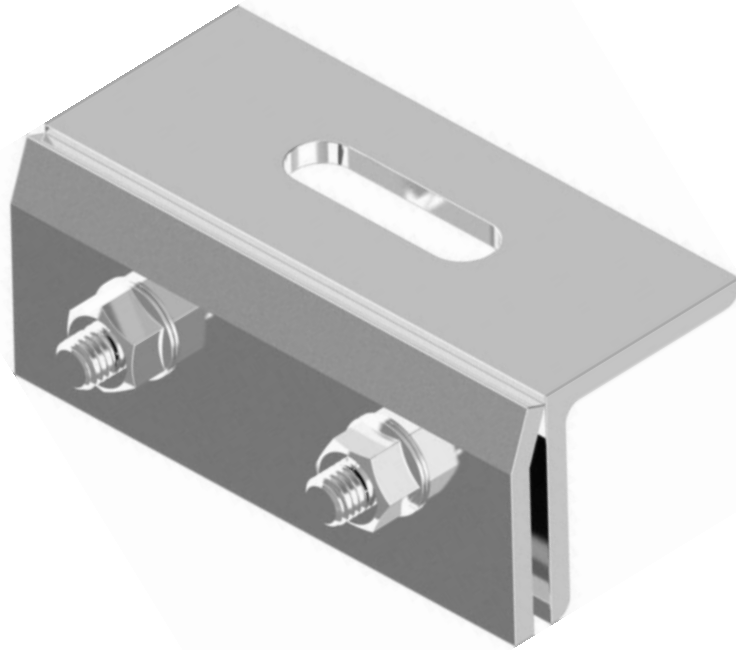





STEEL GEAR

SOLAR






MATERIAL	Stainless Steel
Quality	A2 / 1.4301
FINISH	Polished

PRACTICES

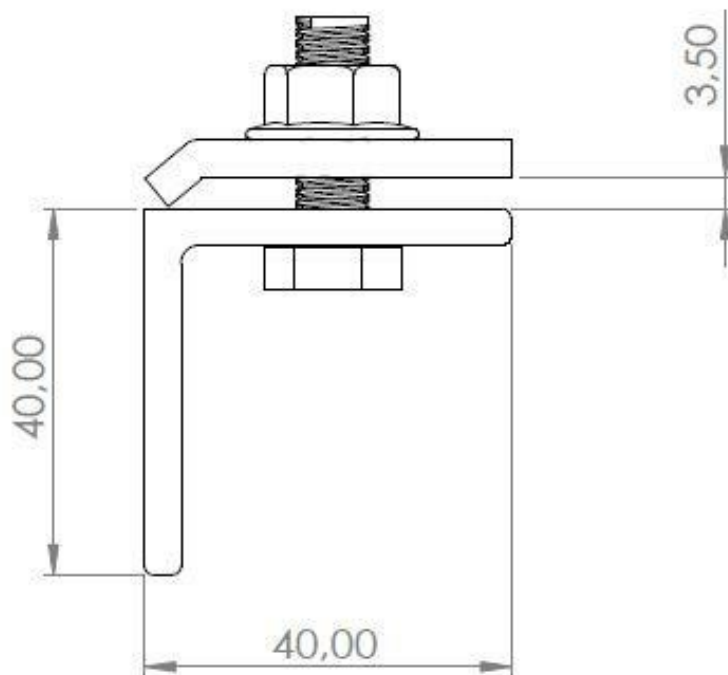
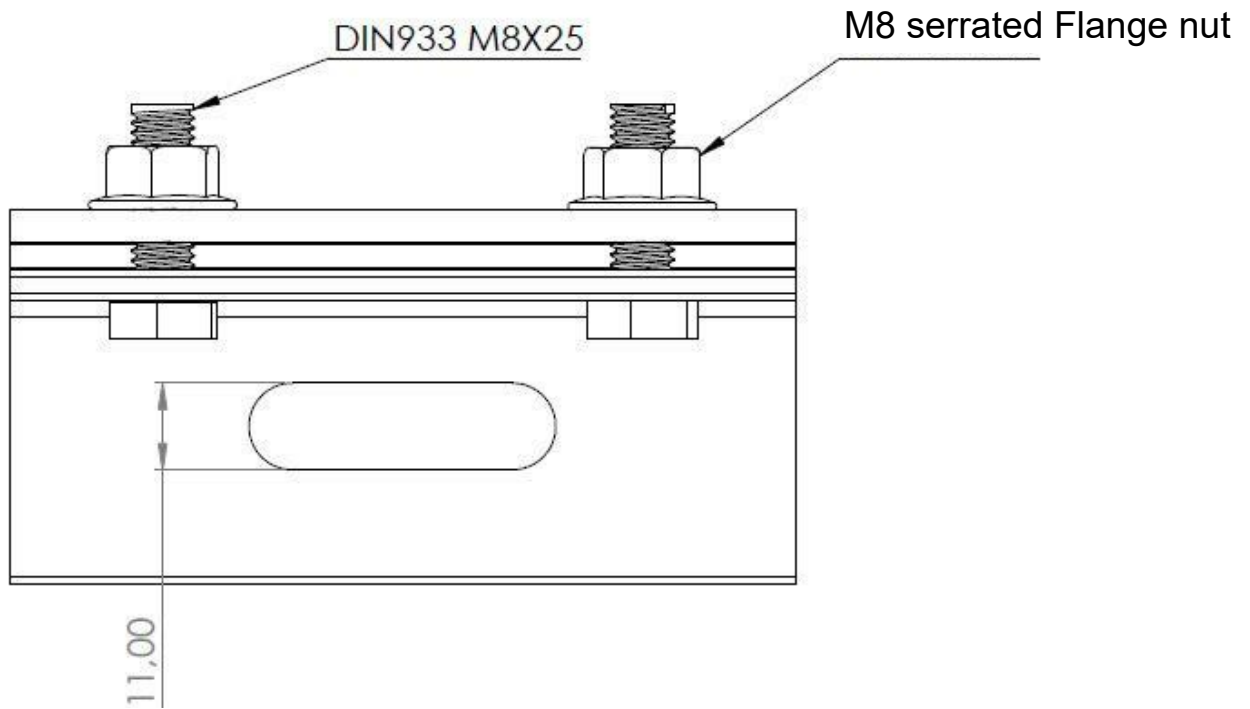
 FIXING OF PV MODULES ON SHEET METAL ROOF

Advantages

-  Fast assembly
-  Delivered pre-assembled
-  Secure hold

The Steelgear roof seam clamp with two fastening screws, is suitable for roofs with standing seam roofing made of zinc, aluminium and steel. The clamping range is 3.5 mm and is compatible with most roofs. The clamping is supplied pre-assembled and can be attached to the roof without further preparation.

DATASHEET - Roof seam clamp



Care must be taken to ensure even distribution of the clamps.

For all clamp fastenings, it must be ensured that the first rail layer runs transversely to the seam; if necessary, a cross connection has to be installed.

It is recommended that the connection between the roof cladding and the roof structure be checked by qualified personnel, as this ensures safe installation.