



Part no. :
 SO100-CL1-AL - 1m long "micro" rail
 SO100-CL33-AL - 3.3m long rail
 SO100-CL43-AL - 4.3m long rail

High strength mounting rail - 40x40 square mm. Uses Clip in in system for mounting clamps And uses M10 hammerhead or Hex head bolt for the roof hook fixing. This rail is also compatible With Schletter rapid clamps and fasteners

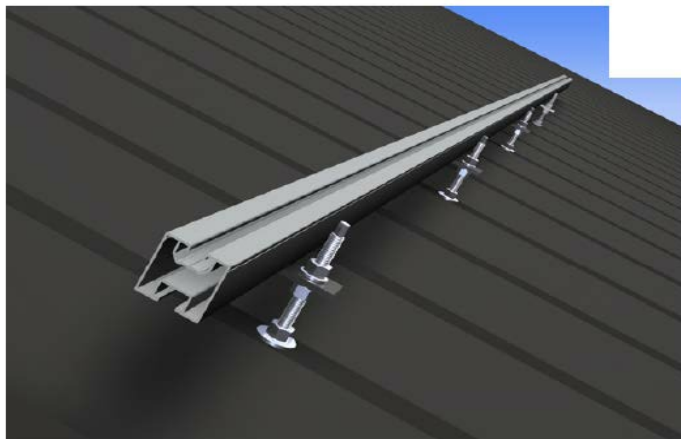
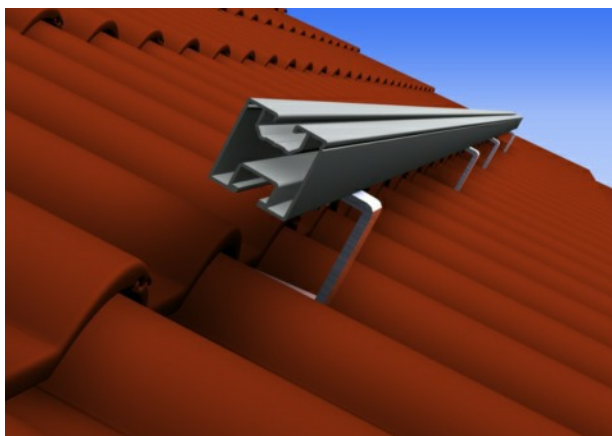
MATERIAL	Aluminium
Requirements	AL - machined - Anodised
Mechanical attribute	High loading

Advantages

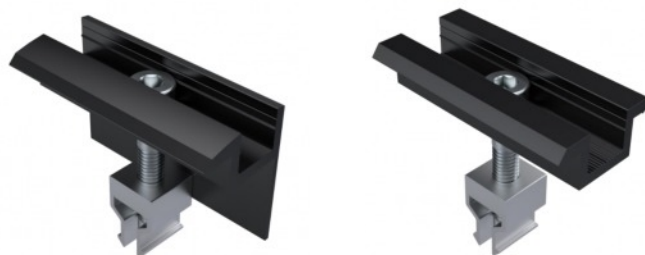
-  Fast assembly
-  Cost Efficient

See page 2 for mounting information

DATASHEET - clip in rail



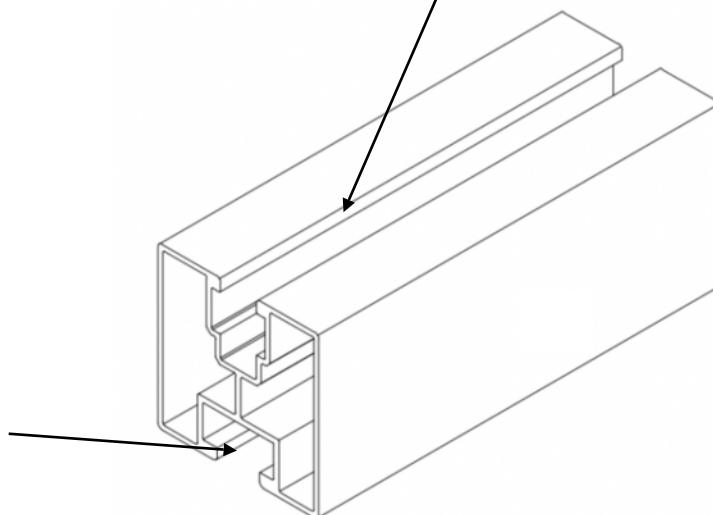
Use steelgear rail connector - Part : SOSTRC40



Use steelgear Mid and end "clip in" clamps
They adjust to suit 30-40mm depth panels (also compatible With Schletter "rapid" clamps)



M10 Hex
Bolt or
Hammerhead
Each M10x25



DATASHEET - Clip in mounting rail